

# CERCLA REPORT

## EMERGENCY AND RAPID RESPONSE SERVICES

**Fairmont Brine Site  
Fairmont WV**

PREPARED FOR

**U.S. Environmental Protection Agency - Region 3  
1600 JFK Blvd  
Philadelphia Pa 19103**

**Contract No.: 68HE0322D0001  
Task Order: 0073  
Project No: FB3-73**

**JANUARY 9, 2026**



**Environmental Restoration LLC  
1666 Fabick Drive  
Fenton, MO 63026  
[www.erllc.com](http://www.erllc.com)**

**CERCLA OFF-SITE DISPOSAL REPORT**

**CONTRACT #:** 68HE0322D0001

- 1. Superfund Site Name: Fairmont Brine TO#: 68HE0324F0073
- 2. State: West Virginia  
 CERCLIS Number: **B3CL (Site ID)**  
 U.S. EPA Generator Number: N/A

- 3. Type of Action (check two):  
 Removal       Remedial  
 Fund-Financed       Fund-Financed  
 PRP-Financed       PRP-Financed

- 4. Type of Waste and Form; (Check one for each)  
 \*If more than one type attach separate sheet for this and remaining questions for each type.  
**Type:**  
 Solvents  
 Dioxin/Furans  
 Heavy Metals (Specify)  
 Cyanides  
 Acids  
 Halogenated Organics  
 Other RCRA-Listed Hazardous Wastes (Specify)  
 Hazardous or De-Listed Wastes (Lead)  
**Form:**  
 Wastewater (Non- Hazardous)  
 Liquid Wastes  
 Organic Sludge (greater than 1% solids)  
 Inorganic Sludge (less than 1% total organic carbon)  
 Solid or Solidified Waste  
 Contaminated Soil & Debris

5. Quantity of Waste: 72,179 gallons

6. Range, average, and/or representative concentrations of the contaminants of concern: Non hazardous radiological aqueous liquid (water)

- 7. Pre-Treatment of waste before transportation;  
 Not Applicable       Precipitation  
 Neutralization       Fixation  
 Stabilization       Solidification  
 Other (Specify) \_\_\_\_\_

8. Receiving RCRA facility name: **Buckeye Brine, LLC Underground Injection Control Facility – Class I Non-Hazardous**

Address: **23986 Airport Road**  
 City, State Zip: **Coshocton, Ohio 43812**  
 ID Number: **OHD 000 180 612**      Profile # **IW-1326-00-003**      Phone: **740 610 3852**

9. Receiving Region: **5**

10. Receiving Region Off-Site Contact (RROC): **William Damico**  
 Date Contacted: **3.19.25 / 8.12.25**  
 Date of last facility inspection: **Not provided**

11. Date(s) of Shipments: **8.18.25 – 9.4.25**  
 Date Disposal Completed: **off site shipment – 9.4.25. CD's received 9.12.25**  
 Date facility signs manifest for receipt of final shipment: **9.4.25**

- 12. Pre-Treatment of waste at site before final treatment or disposal;  
 Not Applicable       Precipitation  
 Neutralization       Fixation  
 Stabilization       Solidification  
 Other (Specify) \_\_\_\_\_

- 13. Final method of treatment or disposal;  
 Precipitation       Land Treatment  
 Neutralization       Injection  
 Incineration       Recovery / Re-Use  
 Landfill       Other (Specify) \_\_\_\_\_

14. If waste was landfilled;  
 Not Applicable  
 Landfill cell number or location: **N/A**

Type of liner in cell: **N/A**

- 15. Cost of activities: \$ [REDACTED]
- Treatment/Disposal: [REDACTED] **T&D**
- Transportation: \$ **0**

Fairmont Brine Site - Rad Non- Haz water loadout log - Buckeye Brine  
Fairmont WW

Loads/day	Start Date	Time onsite	loading time start	Loading time end	Time off site	Tanker Plate#	Manifest #	Qty / gallons est	Qty/gallons actual
1	8.18.25	6:10 AM	7:26 AM	7:50 AM	9:10 AM	TTG4404-OH	250818-121-01	5000	5,045
2	8.18.25	6:10 AM	7:53 AM	8:20 AM	9:45 AM	TTG4405-OH	250818-115-01	5000	5,364
3	8.18.25	6:10 AM	8:22 AM	9:25 AM	9:45 AM	TTG4403-OH	250818-126-01	5000	5,152
4	8.19.25	7:15 AM	7:25 AM	8:05 AM	8:17 AM	TTG4403-OH	250819-126-01	5000	5,307
5	8.19.25	7:15 AM	8:14 AM	8:38 AM	8:50 AM	TTG4404-OH	250819-121-01	5000	5,036
6	8.19.25	7:15 AM	8:43 AM	9:10 AM	9:15 AM	TTG4405-OH	250819-115-01	5000	5,355
7	8.20.25	7:02 AM	7:33 AM	8:31 AM	8:35 AM	TTG4403-OH	250820-121-01	5000	5,250
8	8.20.25	7:10 AM	8:37 AM	9:06 AM	9:52 AM	TTG4405-OH	250820-110-01	5000	5,383
9	8.20.25	7:10 AM	9:11 AM	9:37 AM	9:52 AM	TTG4404-OH	250820-115-01	5000	5,041
10	8.21.25	6:30 AM	7:30 AM	8:15 AM	8:20 AM	TTG4403-OH	250821-121-01	5000	5,479
11	8.21.25	6:50 AM	8:17 AM	8:56 AM	9:45 AM	TTG4404-OH	250821-110-01	5000	5,151
12	8.21.25	6:50 AM	8:57 AM	9:16 AM	9:45 AM	TTG4402-OH	250821-126-01	5000	5,206
13	9.4.25	6:58 AM	7:40 AM	8:24 AM	9:50 AM	TTG4402-OH	250904-121-01	5000	4,864
14	9.4.25	6:58 AM	8:34 AM	9:48 AM	9:55 AM	TTG4404-OH	250904-126-01	5000	4,546
15									
16									
17									
18									
19									
20									
21									
22								TOTAL GALLONS	72,179



## Certification of Disposal

This certification is issued for the disposal of non-hazardous waste via deep well injection.

<b>Receiving and Disposal Facility</b>	Buckeye Brine, LLC Underground Injection Control Facility - Class I Non-hazardous 23986 Airport Road Coshocton, OH 43812 Ohio EPA UIC Permit: 04-16-017-PTO-1, and 04-16-018-PTO-1
<b>Generator</b>	USEPA Region 3 Fairmont Brine Site 168 AFR Drive Fairmont, WV 26554
<b>Waste Name</b>	Non-RCRA/Non-DOT Regulated Liquid
<b>Buckeye Brine profile</b>	IW-1326-00-003

Waste received and disposed:

Manifest / BOL	Buckeye Brine Ticket	Date Received	Date Injected
250818-121-01	IC14922	08/18/2025	8/18/2025
250818-126-01	IC14923	08/18/2025	8/18/2025
250818-115-01	IC14924	08/18/2025	8/18/2025
250819-121-01	IC14930	08/19/2025	8/19/2025
250819-115-01	IC14931	08/19/2025	8/19/2025
250819-126-01	IC14932	08/19/2025	8/19/2025
250820-121-01	IC14938	08/20/2025	8/20/2025
250820-115-01	IC14940	08/20/2025	8/20/2025
250820-110-01	IC14941	08/20/2025	8/20/2025
250821-121-01	IC14946	08/21/2025	8/21/2025
250821-110-01	IC14947	08/21/2025	8/21/2025
250821-126-01	IC14948	08/21/2025	8/22/2025
250904-121-01	IC15025	09/04/2025	9/4/2025
250904-126-01	IC15026	09/04/2025	9/4/2025

Signature: \_\_\_\_\_

Date: 9/12/25

\_\_\_\_\_  
Buckeye Brine, LLC

41

NON-HAZARDOUS WASTE MANIFEST

1. Generator ID Number  
2. Page 1 of  
3. Emergency Response Phone 740-610-3852  
4. Waste Tracking Number 250848-121-01

5. Generator's Name and Mailing Address: USEPA Region 3 - C Wagner (35032)  
1800 JFK Blvd Philadelphia, PA 19103  
Generator's Phone: 804-337-3049  
Generator's Site Address (if different than mailing address): USEPA Region 3 Fairmont Brine Site  
168 APR Drive, Fairmont WV 26554  
804-337-3049

6. Transporter 1 Company Name: Buckeye Brine LLC 23986 Airport Road Coshocton Ohio 43812 DOT 3074256 U.S. EPA ID#



7. Transporter 2 Company Name U.S. EPA ID#

8. Designated Facility Name and Site Address: Buckeye Brine LLC 23986 Airport Road Coshocton Ohio 43812 740-610-3852 U.S. EPA ID Number

9. Waste Shipping Name and Description	10. Containers		11. Total Quantity	12. Unit Wt./Vol.
	No.	Type		
1. Non- RCRA/Non-DOT Regulated Liquid (Concrete Basin Liquid)		TT	5,000	GA
2.				
3.				
4.				

13. Special Handling Instructions and Additional Information: Buckeye Brine Approved Profile TW-1326-03-001 003  
TRACK ID 903 Trailer 103 TRAILER PLATE TTG 4404 STATE OH Rec'd 5,045

14. GENERATOR'S/OFFEROR'S CERTIFICATION: I hereby declare that the contents of this consignment are fully and accurately described above by the proper shipping name, and are classified, packaged, marked and labeled/placarded, and are in all respects in proper condition for transport according to applicable international and national governmental regulations.  
Generator's/Offeror's Printed/Typed Name: Cole Devine on behalf of USEPA  
Signature: [Signature]  
Month Day Year: 8 18 25

15. International Shipments:  Import to U.S.  Export from U.S. Port of entry/exit: Date leaving U.S.:

16. Transporter Acknowledgment of Receipt of Materials  
Transporter 1 Printed/Typed Name: [Redacted] Signature: [Redacted] Month Day Year: 08 18 25  
Transporter 2 Printed/Typed Name: [Redacted] Signature: [Redacted] Month Day Year:

17. Discrepancy  
17a. Discrepancy Indication Space:  Quantity  Type  Residue  Partial Rejection  Full Rejection

17b. Alternate Facility (or Generator) Manifest Reference Number: U.S. EPA ID Number:

Facility's Phone:  
17c. Signature of Alternate Facility (or Generator) Month Day Year:

18. Designated Facility Owner or Operator: Certification of receipt of materials covered by the manifest except as noted in Item 17a  
Printed/Typed Name: [Redacted] Signature: [Redacted] Month Day Year: 8 18 25

DESIGNATED FACILITY TO GENERATOR

**BUCKEYE  
BRINE**

Transportation & Disposal

**Industrial**

Coshocton Facility  
23986 Airport Rd.  
Coshocton, OH 43812  
740-295-9325



IC14922

Date: 8-18-25 Time In: 11:56 Time Out: 12:41

Scheduled Time: \_\_\_\_\_ On Pad Time: 11:58

Generator: 1326-00 USEPA Region 3 Fairmont Brine Site EPA ID # WVR000521948

Generator Address: 168 AFR Drive Fairmont WV 26554

Profile #: IW-1326-00-003 Material Name: Fairmont Brine - Concrete Basin Liquid

Customer: Perma-Fix Environmental Services, Inc. Project #:

BOL/Manifest #: 250818-121-01

Transporter: BUCKEYE BRINE Truck #: 903 Trailer #: 103

Transporter/Tanker  Bottle  Other

Material Description:  
Non-hazardous

EH&S Comments:

**Receiving Material:**

LAB: Tank Assignment: 12 Initial: DA Approved to Receive: [Signature]

PAD: Unloading Pad: 1 4 5 Direct Inject Load:  Yes Well # \_\_\_\_\_

Receiving Tank #: 12 Tank Volume Before: 58 Tank Volume After: 130

Rinse Out:  Yes or  No Rinse Out Gallons: \_\_\_\_\_ Driver's Initial: [Signature]


Approved By: \_\_\_\_\_ Contact Phone #: \_\_\_\_\_

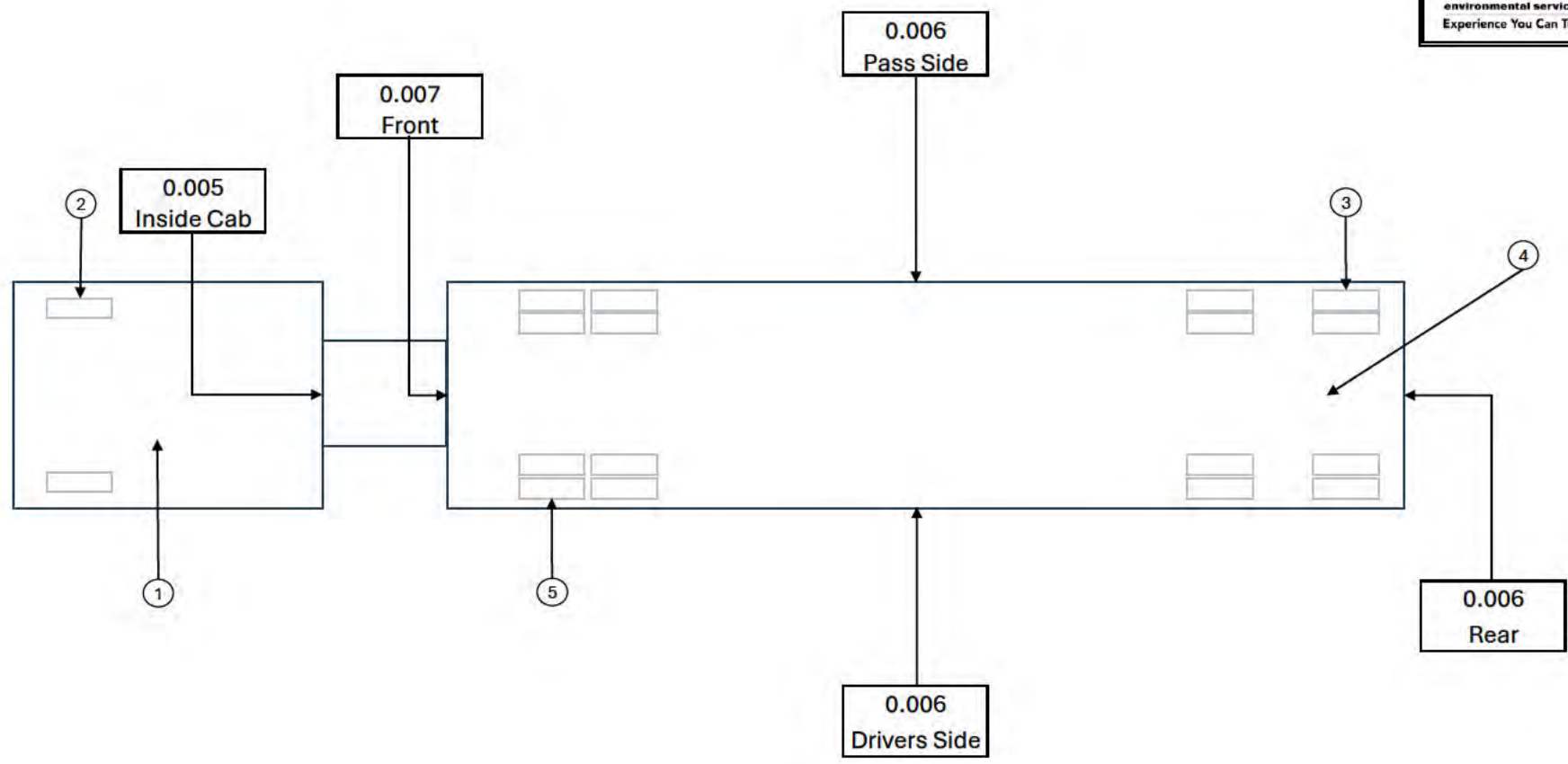
Manifest Gallons: 5009 Sample Taken By:  Top Down Comments: \_\_\_\_\_

Received Gallons: 5,045 1-1.452 2-117.959 3-.714 120.125

Driver Name (print): [Redacted] Driver Signature: [Redacted]

Pad Signature: [Redacted]

Survey Number: FBF-081825-308		Item Surveyed: Tractor Lic Plate: 3230093 State: IN Trailer Lic Plate: TTG4404 State: OH		 Total Activity displayed in dpm/100cm <sup>2</sup>											
Date Surveyed: 8/18/2025		Comments: Removable activity measurements listed on this survey were taken in accordance with US Department of Transportation 49 CFR § 173.443. As such, smears were collected over a 300 cm <sup>2</sup> area and the activity is reported in dpm/cm <sup>2</sup> . Alpha removable activity limit: 24 dpm/cm <sup>2</sup> Beta-gamma removable activity limit: 240 dpm/cm <sup>2</sup>													
Survey Tech: [REDACTED]		<b>Gamma Activity</b>		<b>Total Activity</b>			<b>Removable Activity</b>								
Date Counted: 8/18/2025															
Count Room Tech: [REDACTED]		Dose Rate		Count Rate		Alpha		Beta-Gamma		Alpha		Beta-Gamma			
Survey Type: Outgoing DOT Waste Conveyance		See Second Page For Dose Rate Information		<del>           [REDACTED]         </del>		<del>           [REDACTED]         </del>		<del>           [REDACTED]         </del>		3030		3030			
Level Of Posting: None										3030		3030			
Instrument Model										271327		271327			
Instrument Serial Number										3/26/2026		3/26/2026			
Cal Due Date										32.32%		23.52%			
Instrument Efficiency										N/A		N/A			
Smear Efficiency										10%		10%			
Probe Correction Factor										300		300			
Background Count Time (min)										60		60			
Sample Count Time (min)										0.5		0.5			
Instrument Background		30		3094											
MDC		0.10		0.56											
		Gross cpm		Gross Counts		Net cpm		Net Activity		Gross Counts		Net cpm		Net Activity	
1 Floor - inside cab		0		-1		-0.05		15		-22		-3.06			
2 Tire - tractor front passenger side		0		-1		-0.05		22		-8		-1.07			
3 Tire - trailer rearmost outer		0		-1		-0.05		18		-16		-2.21			
4 Hose connection		1		2		0.15		17		-18		-2.49			
5 Tire - tractor rearmost outer		0		-1		-0.05		17		-18		-2.49			



Tractor License Plate # 3230093

State IN

Instrument 2350-1

Cal Due Date 7/22/2026

Model 44-2

Trailer License Plate # TTG4404

State OH

Instrument 260157

Background 0.008 mR/hr

Serial Number PR273892

Survey Number	FBF-081825-308
Date Surveyed	8/18/2025
Survey Tech	██████████
Date Counted	8/18/2025
Count Room Tech	██████████
Survey Type	Outgoing DOT Waste Conveyance
Level Of Posting	None

Reviewed By ████████████████████

#2

NON-HAZARDOUS WASTE MANIFEST

1. Generator ID Number

2. Page 1 of

3. Emergency Response Phone

740-610-3852

4. Waste Tracking Number

250818-115-01

5. Generator's Name and Mailing Address: USEPA Region 3 - C. Wagner (3SD32)  
1800 JFK Blvd  
Philadelphia PA 19103  
804-337-3049

Generator's Site Address (if different than mailing address):  
USEPA Region 3 Fairmont Brine Site  
188 AFR Drive Fairmont WV 26554  
804-237-3049

Generator's Phone:

6. Transporter 1 Company Name

Buckeye Brine LLC 23988 Airport Road Coshocton Ohio 43812 DOT 3074255

U.S. EPA ID #



IC14924

7. Transporter 2 Company Name

U.S. EPA ID #

8. Designated Facility Name and Site Address:

Buckeye Brine LLC  
23988 Airport Road  
Coshocton Ohio 43812  
740-610-3852

U.S. EPA ID Number

Facility's Phone:

9. Waste Shipping Name and Description

10. Containers

11. Total Quantity

12. Unit Wt./Vol.

1 Non- RCRA/Non-DOT Regulated Liquid (Concrete Basin Liquid)

No. Type

5,000

Gal

13. Special Handling Instructions and Additional Information

Buckeye Brine Approved Profile IW-1326-00-001

20315

TRUCK ID 901 Trailer 104 TRAILER PLATE TTG 4408 STATE OH

REC GPC 5,364

14. GENERATOR'S/OFFEROR'S CERTIFICATION: I hereby declare that the contents of this consignment are fully and accurately described above by the proper shipping name, and are classified, packaged, marked and labeled/placarded, and are in all respects in proper condition for transport according to applicable international and national governmental regulations.

Generators/Offeror's Printed/Typed Name

Colle Devine on Behalf of USEPA

Signature

[Signature]

Month Day Year

9 18 25

15. International Shipments

Import to U.S.

Export from U.S.

Port of entry/exit:

Date leaving U.S.

16. Transporter Acknowledgment of Receipt of Materials

Transporter's Printed/Typed Name

[Redacted Name]

Signature

[Redacted Signature]

Month Day Year

8 18 25

Transporter's Printed/Typed Name

Signature

[Redacted Signature]

Month Day Year

[Redacted Date]

17. Discrepancy

17a. Discrepancy Indication Space

Quantity

Type

Residue

Partial Rejection

Full Rejection

Manifest Reference Number:

U.S. EPA ID Number

17b. Alternate Facility (or Generator)

Facility's Phone:

17c. Signature of Alternate Facility (or Generator)

Month Day Year

18. Designated Facility Owner or Operator: Certification of receipt of materials covered by the manifest except as noted in Item 17a

Printed/Typed Name

[Redacted Name]

Signature

[Redacted Signature]

Month Day Year

8 18 25

**BUCKEYE  
BRINE**

Transportation & Disposal

**Industrial**

Coshocton Facility  
23986 Airport Rd.  
Coshocton, OH 43812  
740-295-9325



IC14924

Date: 8-18-25 Time In: 12:46 Time Out: 14:02

Scheduled Time: \_\_\_\_\_ On Pad Time: 12:48

Generator: 1326-00 USEPA Region 3 Fairmont Brine Site EPA ID # WVR000521948

Generator Address: 168 AFR Drive Fairmont WV 26554

Profile #: IW-1326-00-003 Material Name: Fairmont Brine - Concrete Basin Liquid

Customer: Perma-Fix Environmental Services, Inc. Project #:

BOL/Manifest #: 250818-115-01

Transporter: BUCKEYE BRINE Truck #: 901 Trailer #: 104

Transporter/Tanker  Bottle  Other

Material Description:  
Non-hazardous

EH&S Comments:

**Receiving Material:**

LAB: Tank Assignment: 12 Initial: TS 04 Approved to Receive: TS 04

PAD: Unloading Pad: 1 4 5 Direct Inject Load:  Yes Well # \_\_\_\_\_

Receiving Tank #: 12 Tank Volume Before: 56 Tank Volume After: 117

Rinse Out:  Yes or  No Rinse Out Gallons: \_\_\_\_\_ Driver's Initial: JS

Approved By: \_\_\_\_\_ Contact Phone #: \_\_\_\_\_


Manifest Gallons: 5,000 Sample Taken By:  Top Down Comments: \_\_\_\_\_

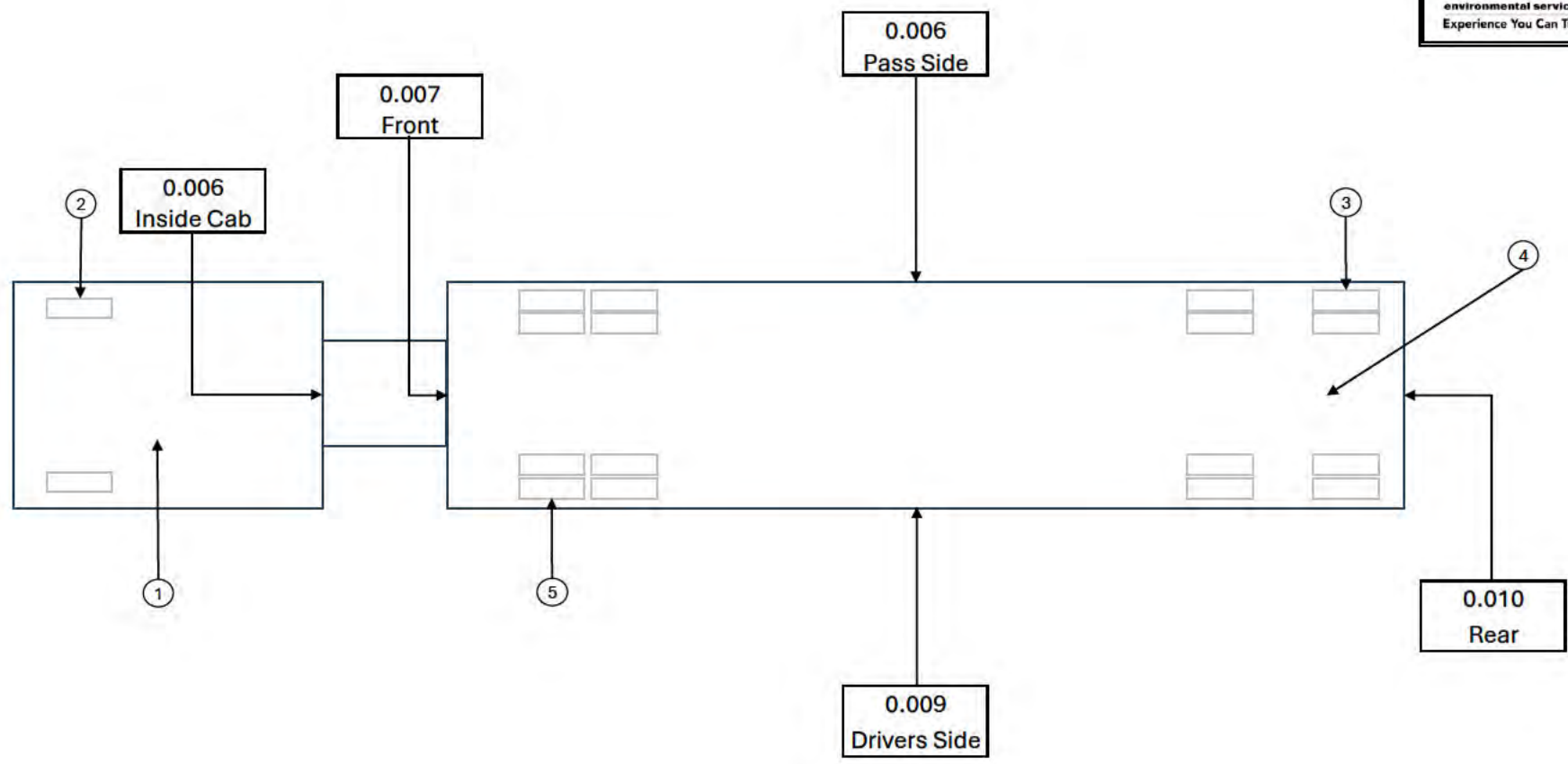
Received Gallons: 5,364 127,721

Driver Name (print): [REDACTED] Driver Signature: [REDACTED]

Pad Signature: [REDACTED]

119

Survey Number	FBF-081825-309	Item Surveyed	Tractor Lic Plate: PME6341 State: OH Trailer Lic Plate: TTG4405 State: OH				 <i>Total Activity displayed in dpm/100cm²</i>										
Date Surveyed	8/18/2025	Comments	Removable activity measurements listed on this survey were taken in accordance with US Department of Transportation 49 CFR § 173.443. As such, smears were collected over a 300 cm² area and the activity is reported in dpm/cm². Alpha removable activity limit: 24 dpm/cm² Beta-gamma removable activity limit: 240 dpm/cm²														
Survey Tech	██████████	<b>Gamma Activity</b>		<b>Total Activity</b>				<b>Removable Activity</b>									
Date Counted	8/18/2025	Dose Rate	Count Rate		Alpha		Beta-Gamma		Alpha			Beta-Gamma					
Count Room Tech	██████████	See Second Page For Dose Rate Information		N/A		/		3030			3030						
Survey Type	Outgoing DOT Waste Conveyance			N/A				271327			271327						
Level Of Posting	None			N/A				3/26/2026			3/26/2026						
Instrument Model				N/A				32.32%			23.52%						
Instrument Serial Number				N/A				N/A		N/A		10%			10%		
Cal Due Date				N/A				1		1		300			300		
Instrument Efficiency				N/A				1		1		60			60		
Instrument Efficiency				N/A				1		1		0.5			0.5		
Smear Efficiency				N/A				N/A		N/A		30			2094		
Probe Correction Factor				N/A				0.10		0.48							
Background Count Time (min)																	
Sample Count Time (min)																	
Instrument Background																	
MDC																	
No	Description/Location	Gross cpm			Gross Counts	Net cpm	Net Activity	Gross Counts	Net cpm	Net Activity	Gross Counts	Net cpm	Net Activity	Gross Counts	Net cpm	Net Activity	
1	Floor - inside cab										1	2	0.15	17	-1	-0.13	
2	Tire - tractor front passenger side										0	-1	-0.05	20	5	0.72	
3	Tire - trailer rearmost outer										0	-1	-0.05	11	-13	-1.83	
4	Hose connection										0	-1	-0.05	20	5	0.72	
5	Tire - tractor rearmost outer										0	-1	-0.05	23	11	1.57	



Tractor License Plate # PME6341 State OH Instrument 2350-1 Cal Due Date 7/22/2026  
 Model 44-2  
 Trailer License Plate # TTG4405 State OH Instrument 260157 Background 0.008 mR/hr  
 Serial Number PR273892

Survey Number	FBF-081825-309
Date Surveyed	8/18/2025
Survey Tech	██████████
Date Counted	8/18/2025
Count Room Tech	██████████
Survey Type	Outgoing DOT Waste Conveyance
Level Of Posting	None

Reviewed By ██

#3

NON-HAZARDOUS WASTE MANIFEST

1. Generator ID Number  
2. Page 1 of  
3. Emergency Response Phone 740-610-3852  
4. Waste Tracking Number 250918-126-01

5. Generator's Name and Mailing Address: USEPA Region 3 - C. Wagner (35082)  
1800 JFK Blvd Philadelphia, PA 19103  
Generator's Site Address (if different than mailing address): USEPA Region 3 Fairmont Brine Site  
108 AFF Drive, Fairmont, WV 26554  
Generator's Phone: 804-337-3049

6. Transporter 1 Company Name: Buckeye Brine LLC 23986 Airport Road Coshocton Ohio 43812 DOT 9074258 U.S. EF  
7. Transporter 2 Company Name U.S. EF



8. Designated Facility Name and Site Address: Buckeye Brine LLC  
23986 Airport Road Coshocton Ohio 43812  
Facility's Phone: 740-610-3852  
U.S. EPA ID Number

GENERATOR

9. Waste Shipping Name and Description	10. Containers		11. Total Quantity	12. Unit Wt./Vol.
	No.	Type		
1. Non- RCRA/Non-DOT Regulated Liquid (Concrete Basin Liquid)	1	T	5000	34L
2.				
3.				
4.				

13. Special Handling Instructions and Additional Information: Buckeye Brine Approved Profile IW-1326-00-001 003  
TRUCK ID 902 Trailer 102 TRAILER PLATE TG4403 STATE OH REC GAL 5,152

14. GENERATOR'S/OFFEROR'S CERTIFICATION: I hereby declare that the contents of this consignment are fully and accurately described above by the proper shipping name, and are classified, packaged, marked and labeled/placarded, and are in all respects in proper condition for transport according to applicable international and national governmental regulations.  
Generator's/Offeror's Printed/Typed Name: Cole Devine on behalf of USEPA  
Signature: [Signature]  
Month Day Year: 08 18 25

INTL

15. International Shipments  Import to U.S.  Export from U.S. Port of entry/exit: Date leaving U.S.:

TRANSPORTER

16. Transporter Acknowledgment of Receipt of Materials  
Signature: [Redacted] Month Day Year: 08 18 25

DESIGNATED FACILITY

17. Discrepancy  
17a. Discrepancy Indication Specs  Quantity  Type  Residue  Partial Rejection  Full Rejection

17b. Alternate Facility (or Generator) Manifest Reference Number: U.S. EPA ID Number

Facility's Phone:  
17c. Signature of Alternate Facility (or Generator) Month Day Year

18. Designated Facility Owner or Operator: Certification of receipt of materials covered by the manifest except as noted in item 17a  
Signature: [Redacted] Month Day Year: 08 18 25

**BUCKEYE  
BRINE**

Transportation & Disposal

**Industrial**

Coshocton Facility  
23986 Airport Rd.  
Coshocton, OH 43812  
740-295-9325



IC14923

Date: 8-18-25 Time In: 12:42 Time Out: 13:35

Scheduled Time: \_\_\_\_\_ On Pad Time: 12:44

Generator: 1326-00 USEPA Region 3 Fairmont Brine Site EPA ID # WVR000521948

Generator Address: 168 AFR Drive Fairmont WV 26554

Profile #: IW-1326-00-003 Material Name: Fairmont Brine - Concrete Basin Liquid

Customer: Perma-Fix Environmental Services, Inc. Project #: \_\_\_\_\_

BOL/Manifest #: <sup>354K</sup> 050818-126-01

Transporter: BUCKEYE BRINE Truck #: 902 Trailer #: 102

Transporter/Tanker  Bottle  Other

Material Description:  
Non-hazardous

EH&S Comments: \_\_\_\_\_

**Receiving Material:**

LAB: Tank Assignment: 12 Initial: TD DU Approved to Receive: TD DU

PAD: Unloading Pad: 1 (4) 5 Direct Inject Load:  Yes Well #: \_\_\_\_\_

Receiving Tank #: 12 Tank Volume Before: 621 Tank Volume After: 95

Rinse Out:  Yes or  No Rinse Out Gallons: \_\_\_\_\_ Driver's Initial: CW

Approved By: \_\_\_\_\_ Contact Phone #: \_\_\_\_\_

Manifest Gallons:  
5,000

Sample Taken By:  
 Top Down


Comments:  
122,674

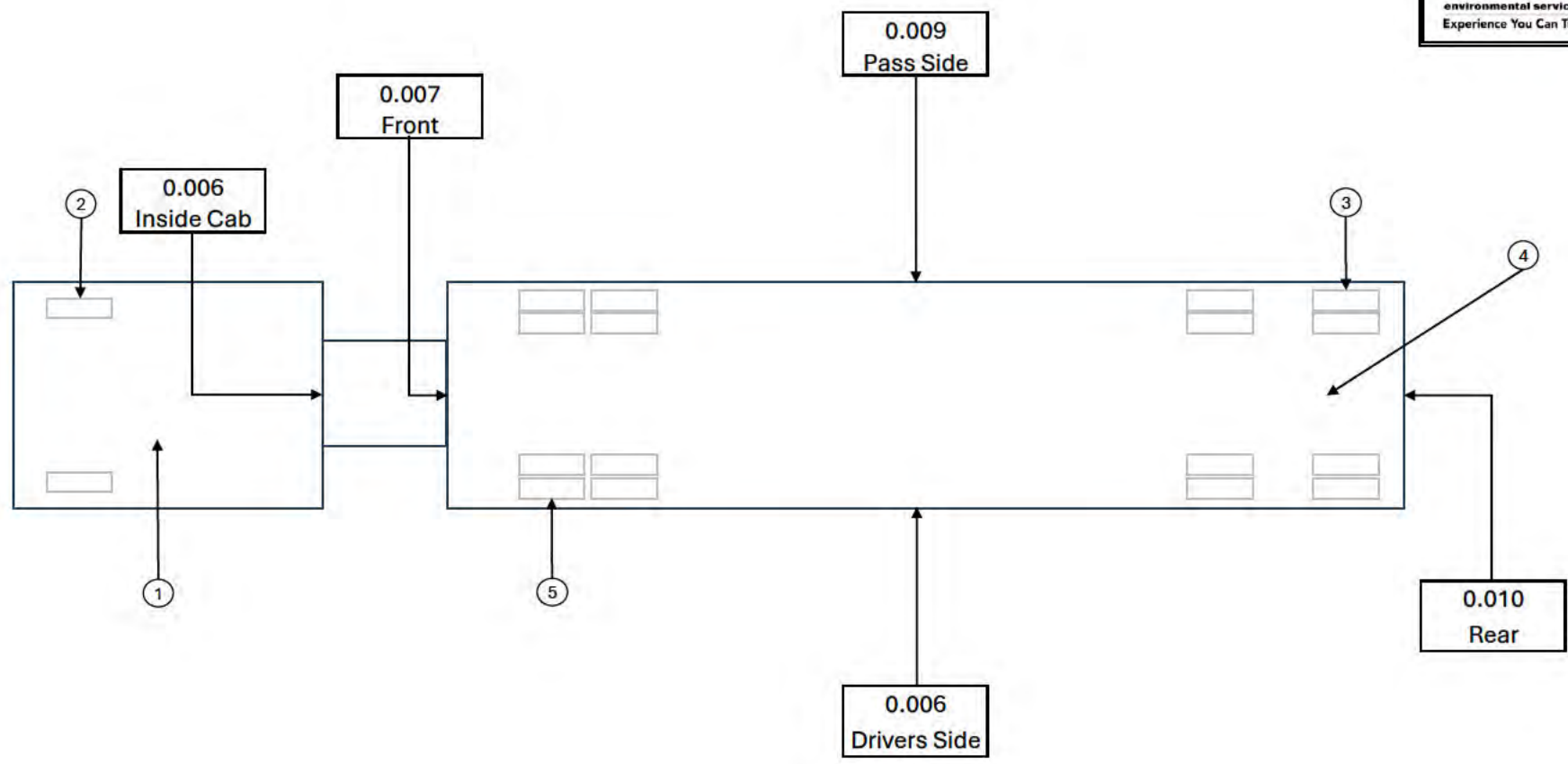
Received Gallons:  
5,152

1-122,245  
2-429

Driver Name (print): [REDACTED] Driver Signature [REDACTED]

Pad Signature: [REDACTED]

Survey Number	FBF-081825-310	Item Surveyed	Tractor Lic Plate: PME6342 State: OH Trailer Lic Plate: TTG4403 State: OH				 <i>Total Activity displayed in dpm/100cm²</i>												
Date Surveyed	8/18/2025	Comments	Removable activity measurements listed on this survey were taken in accordance with US Department of Transportation 49 CFR § 173.443. As such, smears were collected over a 300 cm² area and the activity is reported in dpm/cm². Alpha removable activity limit: 24 dpm/cm² Beta-gamma removable activity limit: 240 dpm/cm²																
Survey Tech		<b>Gamma Activity</b>			<b>Total Activity</b>			<b>Removable Activity</b>											
Date Counted	8/18/2025	Dose Rate	Count Rate		Alpha		Beta-Gamma		Alpha			Beta-Gamma							
Count Room Tech		See Second Page For Dose Rate Information									3030			3030					
Survey Type	Outgoing DOT Waste Conveyance													271327			271327		
Level Of Posting	None													3/26/2026			3/26/2026		
Instrument Model														32.32%			23.52%		
Instrument Serial Number														10%			10%		
Cal Due Date														300			300		
Instrument Efficiency														60			60		
Instrument Efficiency														0.5			0.5		
Smear Efficiency														30			2094		
Probe Correction Factor														0.10			0.48		
Background Count Time (min)																			
Sample Count Time (min)																			
Instrument Background																			
MDC																			
No	Description/Location	Gross cpm		Gross Counts	Net cpm	Net Activity	Gross Counts	Net cpm	Net Activity	Gross Counts	Net cpm	Net Activity	Gross Counts	Net cpm	Net Activity				
1	Floor - inside cab									0	-1	-0.05	12	-11	-1.54				
2	Tire - tractor front passenger side									0	-1	-0.05	22	9	1.29				
3	Tire - trailer rearmost outer									0	-1	-0.05	16	-3	-0.41				
4	Hose connection									1	2	0.15	25	15	2.14				
5	Tire - tractor rearmost outer									0	-1	-0.05	14	-7	-0.98				



Tractor License Plate # PME6342 State OH Instrument 2350-1 Cal Due Date 7/22/2026  
 Model 44-2  
 Trailer License Plate # TTG4403 State OH Instrument 260157 Background 0.008 mR/hr  
 Serial Number PR273892

Survey Number	FBF-081825-310
Date Surveyed	8/18/2025
Survey Tech	[REDACTED]
Date Counted	8/18/2025
Count Room Tech	[REDACTED]
Survey Type	Outgoing DOT Waste Conveyance
Level Of Posting	None

Reviewed By [REDACTED]

# 4

NON-HAZARDOUS WASTE MANIFEST

Generator ID Number

2 Page 1 of

3. Emergency Response Phone

4. Waste Tracking Number

7-0-570-3852

250819-126-01

5. Generator's Name and Mailing Address: USEPA Region 3 - C. Wagner (350/32) 1500 JFK Blvd. Philadelphia, PA 19103 804-337-3049

Generator's Site Address (if different than mailing address): USEPA Region 3 Fairmont Brine Site 158 WFR Drive, Fairmont WV 26554 804-337-3049

Generator's Phone:

6. Transporter 1 Company Name

Buckeye Brine LLC 23986 Airport Road Coshocton Ohio 43812 DOT 3074258

U.S. EPA ID

7. Transporter 2 Company Name

U.S. EPA ID



IC14932

8. Designated Facility Name and Site Address:

Buckeye Brine LLC 23986 Airport Road Coshocton Ohio 43812 740-610-3852

U.S. EPA ID Number

Facility's Phone:

9. Waste Shipping Name and Description

10. Containers

No.

Type

11. Total Quantity

12. Unit Wt./Vol.

1. Non- RCRA/Non-DOT Regulated Liquid (Concrete Basin Liquid)

T

5,000

GAL

2.

3.

4.

13. Special Handling Instructions and Additional Information

Buckeye Brine Approved Profile IW-1326-00-003

TRUCK ID 902 Trailer 102 TRAILER PLATE TTC103 STATE OH Regon 5307

14. GENERATOR'S/OFFEROR'S CERTIFICATION: I hereby declare that the contents of this consignment are fully and accurately described above by the proper shipping name, and are classified, packaged, marked and labeled/placarded, and are in all respects in proper condition for transport according to applicable international and national governmental regulations.

Generator's/Offoror's Printed/Typed Name

Cole Davis on Behalf of USEPA

Signature

[Signature]

Month Day Year

08 19 25

15. International Shipments

Import to U.S.

Export from U.S.

Port of entry/exit:

Transporter Signature (for exports only):

Date leaving U.S.:

16. Transporter Acknowledgment of Receipt of Materials

Transporter 1 Printed/Typed Name

[Redacted]

Signature

[Redacted]

Month Day Year

08 19 25

17. Discrepancy

17a. Discrepancy Indication Space

Quantity

Type

Residue

Partial Rejection

Full Rejection

Manifest Reference Number:

U.S. EPA ID Number

17b. Alternate Facility (or Generator)

Facility's Phone:

17c. Signature of Alternate Facility (or Generator)

Month Day Year

18. Designated Facility Owner or Operator: Certification of receipt of materials covered by the manifest except as noted in Item 17a

[Redacted]

[Redacted]

Month Day Year 08 19 25



**Industrial**  
Coshocton Facility  
23986 Airport Rd.  
Coshocton, OH 43812  
740-295-9325



Date: 8-19-25 Time In: 11:11 Time Out: 14:29

Scheduled Time: \_\_\_\_\_ On Pad Time: 13:55

Generator: 1326-00 USEPA Region 3 Fairmont Brine Site EPA ID # WVR000521948

Generator Address: 168 AFR Drive Fairmont WV 26554

Profile #: IW-1326-00-003 Material Name: Fairmont Brine - Concrete Basin Liquid

Customer: Perma-Fix Environmental Services, Inc. Project #: \_\_\_\_\_

BOL/Manifest #: 250819-126-01

Transporter: Buckeye Brine Truck #: 902 Trailer #: 182

Transporter/Tanker  Bottle  Other

Material Description:  
Non-hazardous

EH&S Comments:  
\_\_\_\_\_

**Receiving Material:**

LAB: Tank Assignment: 12 Initial: JF Approved to Receive: [Signature]

PAD: Unloading Pad: 1 4 (5) Direct Inject Load:  Yes Well #: \_\_\_\_\_

Receiving Tank #: 12 Tank Volume Before: 109 Tank Volume After: 179

Rinse Out:  Yes or  No Rinse Out Gallons: \_\_\_\_\_ Driver's Initial: [Signature]

Approved By: \_\_\_\_\_ Contact Phone #: \_\_\_\_\_

Manifest Gallons:  
5,000

Sample Taken By:  
 Top Down

Comments:  
\_\_\_\_\_

Received Gallons:  
5,307


1-090  
2-124,934  
3-.738

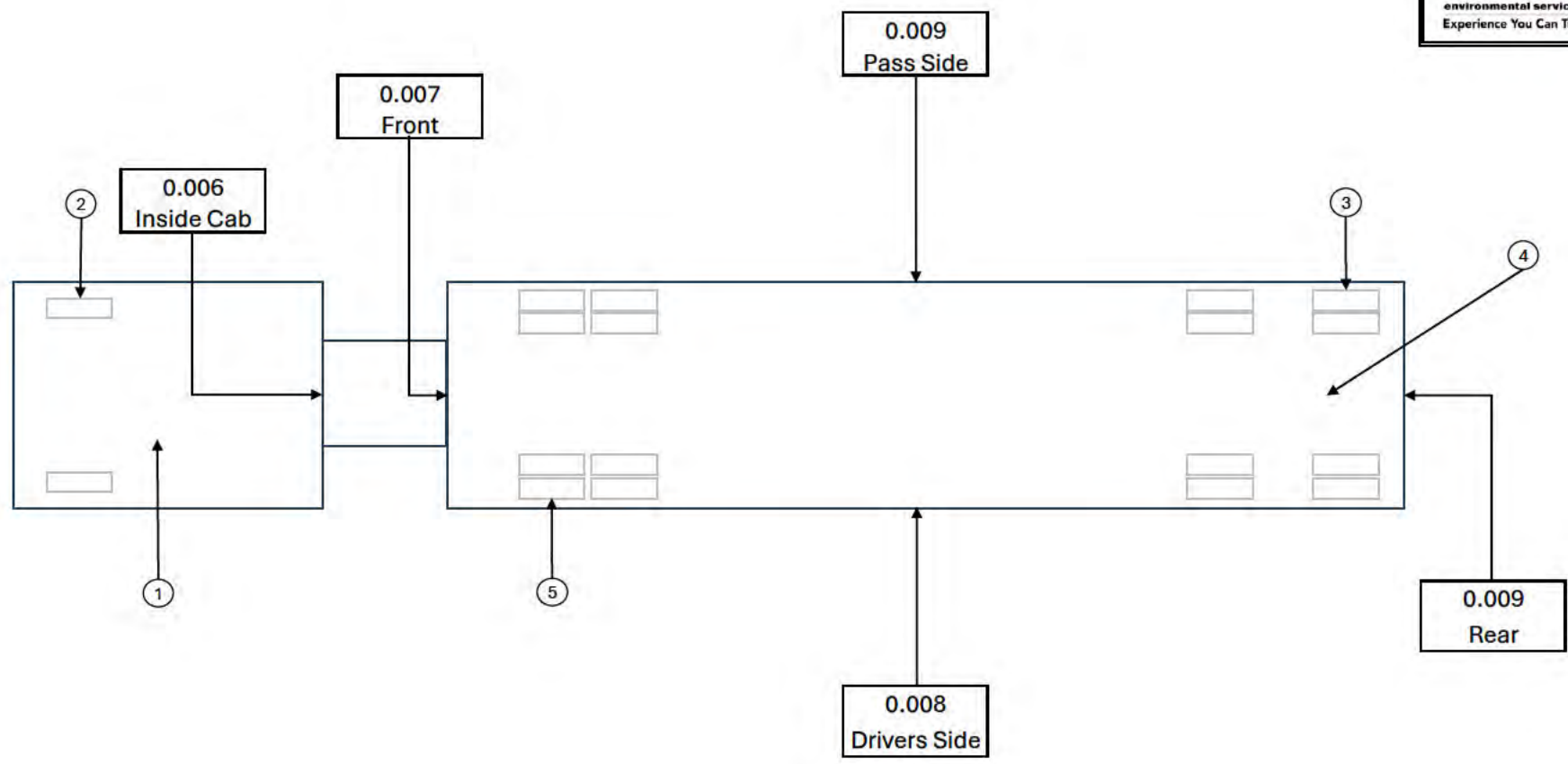
126.364

Driver Name (print): [Redacted]

Driver Signature: [Redacted]

Pad Signature: [Redacted]

Survey Number: FBF-081925-315		Item Surveyed: Tractor Lic Plate: PME6342 State: OH Trailer Lic Plate: TTG4403 State: OH		 Total Activity displayed in dpm/100cm <sup>2</sup>																																																																																											
Date Surveyed: 8/19/2025		Comments: Removable activity measurements listed on this survey were taken in accordance with US Department of Transportation 49 CFR § 173.443. As such, smears were collected over a 300 cm <sup>2</sup> area and the activity is reported in dpm/cm <sup>2</sup> . Alpha removable activity limit: 24 dpm/cm <sup>2</sup> Beta-gamma removable activity limit: 240 dpm/cm <sup>2</sup>																																																																																													
Survey Tech: [REDACTED]		<b>Gamma Activity</b>		<b>Total Activity</b>			<b>Removable Activity</b>																																																																																								
Date Counted: 8/19/2025																																																																																															
Count Room Tech: [REDACTED]		Dose Rate		Count Rate		Alpha		Beta-Gamma		Alpha		Beta-Gamma																																																																																			
Survey Type: Outgoing DOT Waste Conveyance		See Second Page For Dose Rate Information		<del> <table border="1"> <tr><td>Instrument Model</td><td></td></tr> <tr><td>Instrument Serial Number</td><td></td></tr> <tr><td>Cal Due Date</td><td></td></tr> <tr><td>Instrument Efficiency</td><td>N/A</td></tr> <tr><td>Smear Efficiency</td><td>N/A</td></tr> <tr><td>Probe Correction Factor</td><td>N/A</td></tr> <tr><td>Background Count Time (min)</td><td></td></tr> <tr><td>Sample Count Time (min)</td><td></td></tr> <tr><td>Instrument Background</td><td></td></tr> <tr><td>MDC</td><td>N/A</td></tr> </table> </del>		Instrument Model		Instrument Serial Number		Cal Due Date		Instrument Efficiency	N/A	Smear Efficiency	N/A	Probe Correction Factor	N/A	Background Count Time (min)		Sample Count Time (min)		Instrument Background		MDC	N/A	<del> <table border="1"> <tr><td>Alpha</td><td></td></tr> <tr><td>Beta-Gamma</td><td></td></tr> <tr><td>Alpha</td><td></td></tr> <tr><td>Beta-Gamma</td><td></td></tr> <tr><td>Alpha</td><td></td></tr> <tr><td>Beta-Gamma</td><td></td></tr> <tr><td>Alpha</td><td></td></tr> <tr><td>Beta-Gamma</td><td></td></tr> <tr><td>Alpha</td><td></td></tr> <tr><td>Beta-Gamma</td><td></td></tr> </table> </del>		Alpha		Beta-Gamma		Alpha		Beta-Gamma		Alpha		Beta-Gamma		Alpha		Beta-Gamma		Alpha		Beta-Gamma		<del> <table border="1"> <tr><td>Alpha</td><td>3030</td></tr> <tr><td>Beta-Gamma</td><td>3030</td></tr> <tr><td>Alpha</td><td>271327</td></tr> <tr><td>Beta-Gamma</td><td>271327</td></tr> <tr><td>Alpha</td><td>3/26/2026</td></tr> <tr><td>Beta-Gamma</td><td>3/26/2026</td></tr> <tr><td>Alpha</td><td>32.32%</td></tr> <tr><td>Beta-Gamma</td><td>23.52%</td></tr> <tr><td>Alpha</td><td>10%</td></tr> <tr><td>Beta-Gamma</td><td>10%</td></tr> <tr><td>Alpha</td><td>300</td></tr> <tr><td>Beta-Gamma</td><td>300</td></tr> <tr><td>Alpha</td><td>60</td></tr> <tr><td>Beta-Gamma</td><td>60</td></tr> <tr><td>Alpha</td><td>0.5</td></tr> <tr><td>Beta-Gamma</td><td>0.5</td></tr> <tr><td>Alpha</td><td>21</td></tr> <tr><td>Beta-Gamma</td><td>2134</td></tr> <tr><td>Alpha</td><td>0.09</td></tr> <tr><td>Beta-Gamma</td><td>0.48</td></tr> </table> </del>		Alpha	3030	Beta-Gamma	3030	Alpha	271327	Beta-Gamma	271327	Alpha	3/26/2026	Beta-Gamma	3/26/2026	Alpha	32.32%	Beta-Gamma	23.52%	Alpha	10%	Beta-Gamma	10%	Alpha	300	Beta-Gamma	300	Alpha	60	Beta-Gamma	60	Alpha	0.5	Beta-Gamma	0.5	Alpha	21	Beta-Gamma	2134	Alpha	0.09	Beta-Gamma	0.48						
Instrument Model																																																																																															
Instrument Serial Number																																																																																															
Cal Due Date																																																																																															
Instrument Efficiency	N/A																																																																																														
Smear Efficiency	N/A																																																																																														
Probe Correction Factor	N/A																																																																																														
Background Count Time (min)																																																																																															
Sample Count Time (min)																																																																																															
Instrument Background																																																																																															
MDC	N/A																																																																																														
Alpha																																																																																															
Beta-Gamma																																																																																															
Alpha																																																																																															
Beta-Gamma																																																																																															
Alpha																																																																																															
Beta-Gamma																																																																																															
Alpha																																																																																															
Beta-Gamma																																																																																															
Alpha																																																																																															
Beta-Gamma																																																																																															
Alpha	3030																																																																																														
Beta-Gamma	3030																																																																																														
Alpha	271327																																																																																														
Beta-Gamma	271327																																																																																														
Alpha	3/26/2026																																																																																														
Beta-Gamma	3/26/2026																																																																																														
Alpha	32.32%																																																																																														
Beta-Gamma	23.52%																																																																																														
Alpha	10%																																																																																														
Beta-Gamma	10%																																																																																														
Alpha	300																																																																																														
Beta-Gamma	300																																																																																														
Alpha	60																																																																																														
Beta-Gamma	60																																																																																														
Alpha	0.5																																																																																														
Beta-Gamma	0.5																																																																																														
Alpha	21																																																																																														
Beta-Gamma	2134																																																																																														
Alpha	0.09																																																																																														
Beta-Gamma	0.48																																																																																														
Level Of Posting: None		Gross cpm		Gross Counts		Net cpm		Net Activity		Gross Counts		Net cpm		Net Activity																																																																																	
Instrument Model		<table border="1"> <tr><td>1</td><td>Floor - inside cab</td><td></td><td></td><td></td><td></td><td></td><td></td><td></td><td></td><td></td><td></td><td></td><td></td><td></td><td></td></tr> <tr><td>2</td><td>Tire - tractor front passenger side</td><td></td><td></td><td></td><td></td><td></td><td></td><td></td><td></td><td></td><td></td><td></td><td></td><td></td><td></td></tr> <tr><td>3</td><td>Tire - trailer rearmost outer</td><td></td><td></td><td></td><td></td><td></td><td></td><td></td><td></td><td></td><td></td><td></td><td></td><td></td><td></td></tr> <tr><td>4</td><td>Hose connection</td><td></td><td></td><td></td><td></td><td></td><td></td><td></td><td></td><td></td><td></td><td></td><td></td><td></td><td></td></tr> <tr><td>5</td><td>Tire - tractor rearmost outer</td><td></td><td></td><td></td><td></td><td></td><td></td><td></td><td></td><td></td><td></td><td></td><td></td><td></td><td></td></tr> </table>		1	Floor - inside cab															2	Tire - tractor front passenger side															3	Tire - trailer rearmost outer															4	Hose connection															5	Tire - tractor rearmost outer															Gross Counts		Net cpm		Net Activity		Gross Counts		Net cpm		Net Activity	
1	Floor - inside cab																																																																																														
2	Tire - tractor front passenger side																																																																																														
3	Tire - trailer rearmost outer																																																																																														
4	Hose connection																																																																																														
5	Tire - tractor rearmost outer																																																																																														
Instrument Serial Number		Gross Counts		Net cpm		Net Activity		Gross Counts		Net cpm		Net Activity																																																																																			
Cal Due Date		Gross Counts		Net cpm		Net Activity		Gross Counts		Net cpm		Net Activity																																																																																			
Instrument Efficiency		Gross Counts		Net cpm		Net Activity		Gross Counts		Net cpm		Net Activity																																																																																			
Smear Efficiency		Gross Counts		Net cpm		Net Activity		Gross Counts		Net cpm		Net Activity																																																																																			
Probe Correction Factor		Gross Counts		Net cpm		Net Activity		Gross Counts		Net cpm		Net Activity																																																																																			
Background Count Time (min)		Gross Counts		Net cpm		Net Activity		Gross Counts		Net cpm		Net Activity																																																																																			
Sample Count Time (min)		Gross Counts		Net cpm		Net Activity		Gross Counts		Net cpm		Net Activity																																																																																			
Instrument Background		Gross Counts		Net cpm		Net Activity		Gross Counts		Net cpm		Net Activity																																																																																			
MDC		Gross Counts		Net cpm		Net Activity		Gross Counts		Net cpm		Net Activity																																																																																			



Tractor License Plate # PME6342 State OH Instrument 2350-1 Cal Due Date 7/22/2026  
 Model 44-2  
 Trailer License Plate # TTG4403 State OH Instrument 260157 Background 0.009 mR/hr  
 Serial Number PR273892

Survey Number	FBF-081925-315
Date Surveyed	8/19/2025
Survey Tech	██████████
Date Counted	8/19/2025
Count Room Tech	██████████
Survey Type	Outgoing DOT Waste Conveyance
Level Of Posting	None

Reviewed By ████████████████████

45

NON-HAZARDOUS WASTE MANIFEST

1. Generator ID Number

2. Page 1 of

3. Emergency Response Phone

4. Waste Tracking Number

740-610-3852

250819-121-01

5. Generator's Name and Mailing Address: USEPA Region 3 - C. Wagner (95EG2)  
1800 JFK Blvd  
Philadelphia PA 19103  
804-337-3049

Generator's Site Address (if different than mailing address):  
USEPA Region 3 Fairmont Brine Site  
168 AFR Drive Fairmont WV 26554  
804-397-9049

Generator's Phone:

6. Transporter 1 Company Name

Buckeye Brine LLC 23986 Airport Road Coshocton Ohio 43812 DOT 3074256

U.S. EPA ID #

7. Transporter 2 Company Name

U.S. EPA ID #

8. Designated Facility Name and Site Address:

Buckeye Brine LLC  
23986 Airport Road  
Coshocton Ohio 43812  
740-610-3852

U.S. EPA ID Number

Facility's Phone:



IC14930

9. Waste Shipping Name and Description

10. Containers

No.

Type

11. Total Quantity

12. Unit Wt./Vol.

1. Non- RCRA/Non-DOT Regulated Liquid  
(Concrete Basin Liquid)

1

T

5,000

G+L

13. Special Handling Instructions and Additional Information

Buckeye Brine Approved Profile IW-1326-00-003

TRUCK ID 903 Trailer 703 TRAILER PLATE TT6 4404 STATE OH Receptor 5,036

14. GENERATOR'S/OFFEROR'S CERTIFICATION: I hereby declare that the contents of this consignment are fully and accurately described above by the proper shipping name, and are classified, packaged, marked and labeled/placarded, and are in all respects in proper condition for transport according to applicable international and national governmental regulations.

Generator's/Offoror's Printed/Typed Name

Signature

Month Day Year

Loie Devine on Behalf of USEPA

[Signature]

08 19 25

15. International Shipments

Import to U.S.

Export from U.S.

Port of entry/exit:

Date leaving U.S.

Transporter Signature (for exports only):

16. Transporter Acknowledgment of Receipt of Materials

Signature

Month Day Year

[Redacted Signature]

Signature

Month Day Year

Transporter 2 Printed/Typed Name

[Redacted Signature]

08 19 25

Month Day Year

17. Discrepancy

17a. Discrepancy Indication Space

Quantity

Type

Residue

Partial Rejection

Full Rejection

Manifest Reference Number:

U.S. EPA ID Number

17b. Alternate Facility (or Generator)

Facility's Phone:

17c. Signature of Alternate Facility (or Generator)

Month Day Year

18. Designated Facility Owner or Operator: Certification of receipt of materials covered by the manifest except as noted in Item 17a

Printed/Typed Name

Signature

Month Day Year

[Redacted Name]

[Redacted Signature]

08 19 25



**Industrial**  
Coshocton Facility  
23986 Airport Rd.  
Coshocton, OH 43812  
740-295-9325



Date: 8-19-25 Time In: 11:46 Time Out: 12:29  
Scheduled Time: \_\_\_\_\_ On Pad Time: 11:48

Generator: 1326-00 USEPA Region 3 Fairmont Brine Site EPA ID # WVR000521948  
Generator Address: 168 AFR Drive Fairmont WV 26554

Profile #: IW-1326-00-003 Material Name: Fairmont Brine - Concrete Basin Liquid

Customer: Perma-Fix Environmental Services, Inc. Project #:

BOL/Manifest #: 250819-121-01

Transporter: BUCKEYE BRINE Truck #: 903 Trailer #: 103

Transporter/Tanker  Bottle  Other

Material Description:  
Non-hazardous

EH&S Comments:

**Receiving Material:**

LAB: Tank Assignment: 12 Initial: AA Approved to Receive: [Signature]

PAD: Unloading Pad: 1 4 (5) Direct Inject Load:  Yes Well # \_\_\_\_\_

Receiving Tank #: 12 Tank Volume Before: 41 Tank Volume After: 107


Rinse Out:  Yes or  No Rinse Out Gallons: \_\_\_\_\_ Driver's Initial: WJ

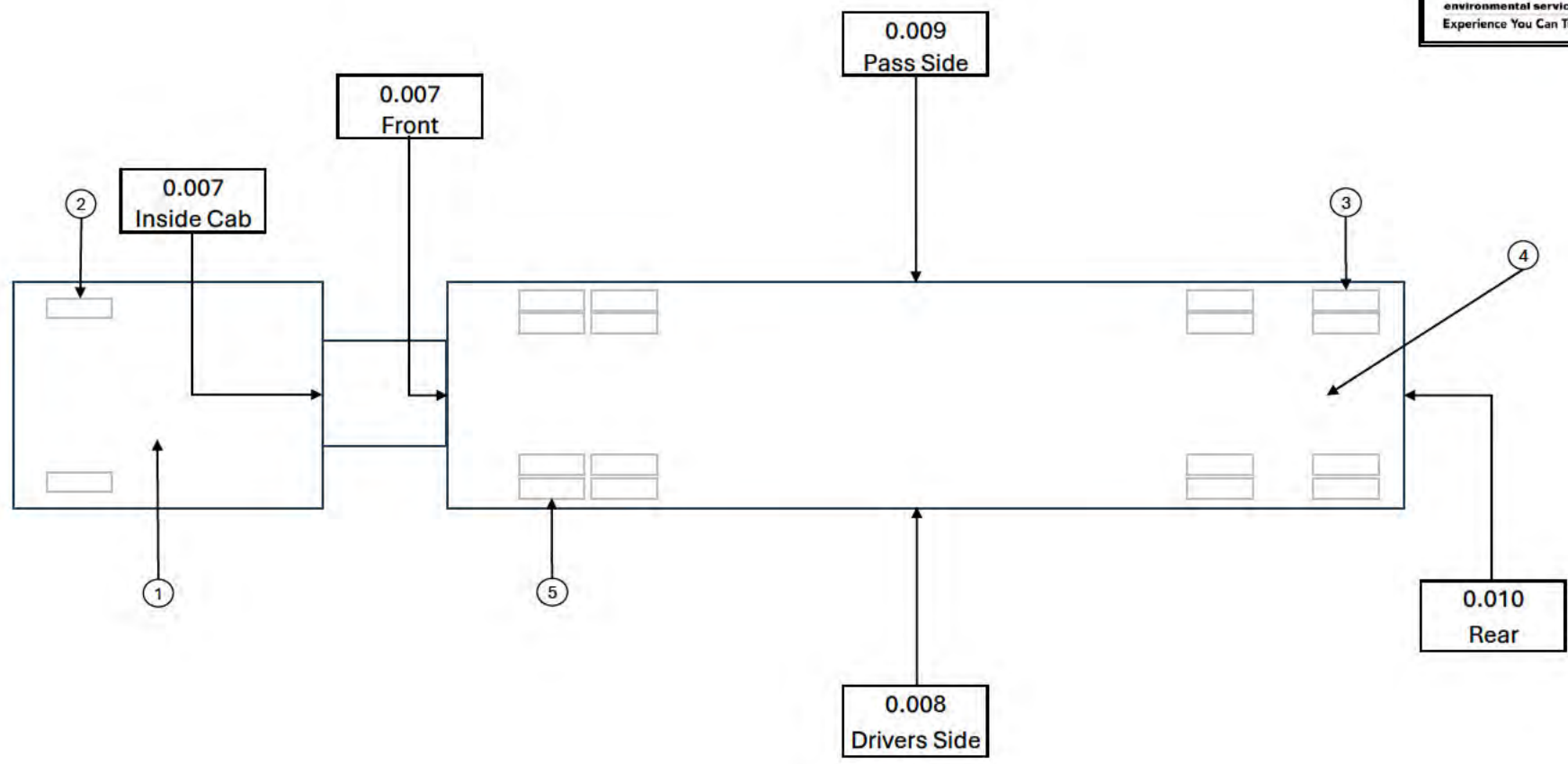
Approved By: \_\_\_\_\_ Contact Phone #: \_\_\_\_\_

Manifest Gallons: <u>5,000</u>	Sample Taken By: <input checked="" type="checkbox"/> Top Down	Comments: <u>4-1.071</u>
Received Gallons: <u>5,036</u>	<u>1- 786</u> <u>2- 116.887</u> <u>3- 1.167</u>	<u>119.911</u>

Driver Name (print): [Redacted] Driver Signature: [Redacted]

Pad Signature: [Redacted] 119

Survey Number: FBF-081925-317		Item Surveyed: Tractor Lic Plate: 3230093 State: IN Trailer Lic Plate: TTG4404 State: OH		 Total Activity displayed in dpm/100cm <sup>2</sup>											
Date Surveyed: 8/19/2025		Comments: Removable activity measurements listed on this survey were taken in accordance with US Department of Transportation 49 CFR § 173.443. As such, smears were collected over a 300 cm <sup>2</sup> area and the activity is reported in dpm/cm <sup>2</sup> . Alpha removable activity limit: 24 dpm/cm <sup>2</sup> Beta-gamma removable activity limit: 240 dpm/cm <sup>2</sup>													
Survey Tech: [REDACTED]		<b>Gamma Activity</b>		<b>Total Activity</b>			<b>Removable Activity</b>								
Date Counted: 8/19/2025															
Count Room Tech: [REDACTED]		Dose Rate		Count Rate		Alpha		Beta-Gamma		Alpha		Beta-Gamma			
Survey Type: Outgoing DOT Waste Conveyance		See Second Page For Dose Rate Information		Instrument Model		Alpha		Beta-Gamma		Alpha		Beta-Gamma			
Level Of Posting: None				Instrument Serial Number		Alpha		Beta-Gamma		Alpha		Beta-Gamma			
				Cal Due Date		Alpha		Beta-Gamma		Alpha		Beta-Gamma			
				Instrument Efficiency		Alpha		Beta-Gamma		Alpha		Beta-Gamma			
				Smear Efficiency		Alpha		Beta-Gamma		Alpha		Beta-Gamma			
				Probe Correction Factor		Alpha		Beta-Gamma		Alpha		Beta-Gamma			
				Background Count Time (min)		Alpha		Beta-Gamma		Alpha		Beta-Gamma			
				Sample Count Time (min)		Alpha		Beta-Gamma		Alpha		Beta-Gamma			
				Instrument Background		Alpha		Beta-Gamma		Alpha		Beta-Gamma			
				MDC		Alpha		Beta-Gamma		Alpha		Beta-Gamma			
No	Description/Location	Gross cpm		Gross Counts	Net cpm	Net Activity	Gross Counts	Net cpm	Net Activity	Gross Counts	Net cpm	Net Activity	Gross Counts	Net cpm	Net Activity
1	Floor - inside cab									0	0	-0.04	14	-8	-1.07
2	Tire - tractor front passenger side									0	0	-0.04	18	0	0.06
3	Tire - trailer rearmost outer									1	2	0.17	11	-14	-1.92
4	Hose connection									0	0	-0.04	15	-6	-0.79
5	Tire - tractor rearmost outer									2	4	0.38	25	14	2.05



Tractor License Plate # 3230093 State IN Instrument 2350-1 Cal Due Date 7/22/2026  
 Model 44-2  
 Trailer License Plate # TTG4404 State OH Instrument 260157 Background 0.009 mR/hr  
 Serial Number PR273892

Survey Number	FBF-081925-317
Date Surveyed	8/19/2025
Survey Tech	██████████
Date Counted	8/19/2025
Count Room Tech	██████████
Survey Type	Outgoing DOT Waste Conveyance
Level Of Posting	None

Reviewed By ████████████████████

#6

NON-HAZARDOUS WASTE MANIFEST

1. Generator ID Number

2. Page 1 of

3. Emergency Response Phone

4. Waste Tracking Number

1-517-3032

250819-115-01

5. Generator's Name and Mailing Address: USEPA Region 3 - C. Wagner (35D02)  
1600 JFK Blvd  
Philadelphia PA 19103  
804-337-3049

Generator's Site Address (if different than mailing address): USEPA Region 3 Fairmont Brine Site  
168 AFR Drive Fairmont WV 26554  
804-337-3049

Generator's Phone:

6. Transporter 1 Company Name

Buckeye Brine LLC 23986 Airport Road Coshocton Ohio 43812 DOT 3074258

U.S. EPA ID N



IC14931

7. Transporter 2 Company Name

U.S. EPA ID N

8. Designated Facility Name and Site Address:

Buckeye Brine LLC  
23986 Airport Road  
Coshocton Ohio 43812  
740-610-3852

U.S. EPA ID Number

Facility's Phone:

9. Waste Shipping Name and Description

10. Containers

No.

Type

11. Total Quantity

12. Unit Wt./Vol.

1 Non- RCRA/Non-DOT Regulated Liquid (Concrete Basin Liquid)

TT

5000

GAL

13. Special Handling Instructions and Additional Information

Buckeye Brine Approved Profile IW-1326-00-003

TRUCK ID 901 Trailer 109 TRAILER PLATE TTG 4405 STATE 04 Rec Code 5355

14. GENERATOR'S/OFFEROR'S CERTIFICATION: I hereby declare that the contents of this consignment are fully and accurately described above by the proper shipping name, and are classified, packaged, marked and labeled/placarded, and are in all respects in proper condition for transport according to applicable international and national governmental regulations.

Generator's/Offlor's Printed/Typed Name

Cole Devine on Behalf of USEPA

Signature

Month Day Year

08 19 25

15. International Shipments

Import to U.S.

Export from U.S.

Port of entry/exit:

Date leaving U.S.:

Transporter Signature (for exports only):

16. Transporter Acknowledgment of Receipt of Materials

Transporter 1 Printed/Typed Name

[Redacted Name]

Signature

Month Day Year

08 19 25

Transporter 2 Printed/Typed Name

[Redacted Name]

Signature

Month Day Year

08 19 25

17. Discrepancy

17a. Discrepancy Indication Space

Quantity

Type

Residue

Partial Rejection

Full Rejection

Manifest Reference Number:

17b. Alternate Facility (or Generator)

U.S. EPA ID Number

Facility's Phone:

17c. Signature of Alternate Facility (or Generator)

Month Day Year

18. Designated Facility Owner or Operator: Certification of receipt of materials covered by the manifest except as noted in Item 17a

Printed/Typed Name

[Redacted Name]

Signature

Month Day Year

08 19 25



**Industrial**  
Coshocton Facility  
23986 Airport Rd.  
Coshocton, OH 43812  
740-295-9325



Date: 8-19-25 Time In: 12:34 Time Out: 13:33  
Scheduled Time: \_\_\_\_\_ On Pad Time: 12:30

Generator: 1326-00 USEPA Region 3 Fairmont Brine Site EPA ID # WVR000521948  
Generator Address: 168 AFR Drive Fairmont WV 26554

Profile #: IW-1326-00-003 Material Name: Fairmont Brine - Concrete Basin Liquid

Customer: Perma-Fix Environmental Services, Inc. Project #:  
BOL/Manifest #: 250819-115-01  
Transporter: BUCKEYE BRINE Truck #: 901 Trailer #: 104

Transporter/Tanker  Bottle  Other

Material Description:  
Non-hazardous

EH&S Comments:

Receiving Material:  
LAB: Tank Assignment: 12 Initial: JF Approved to Receive: [Signature]

PAD: Unloading Pad: 1 4 (5) Direct Inject Load:  Yes Well # \_\_\_\_\_

Receiving Tank #: 12 Tank Volume Before: 70 Tank Volume After: 109

Rinse Out:  Yes or  No Rinse Out Gallons: \_\_\_\_\_ Driver's Initial: JF


Approved By: \_\_\_\_\_ Contact Phone #: \_\_\_\_\_

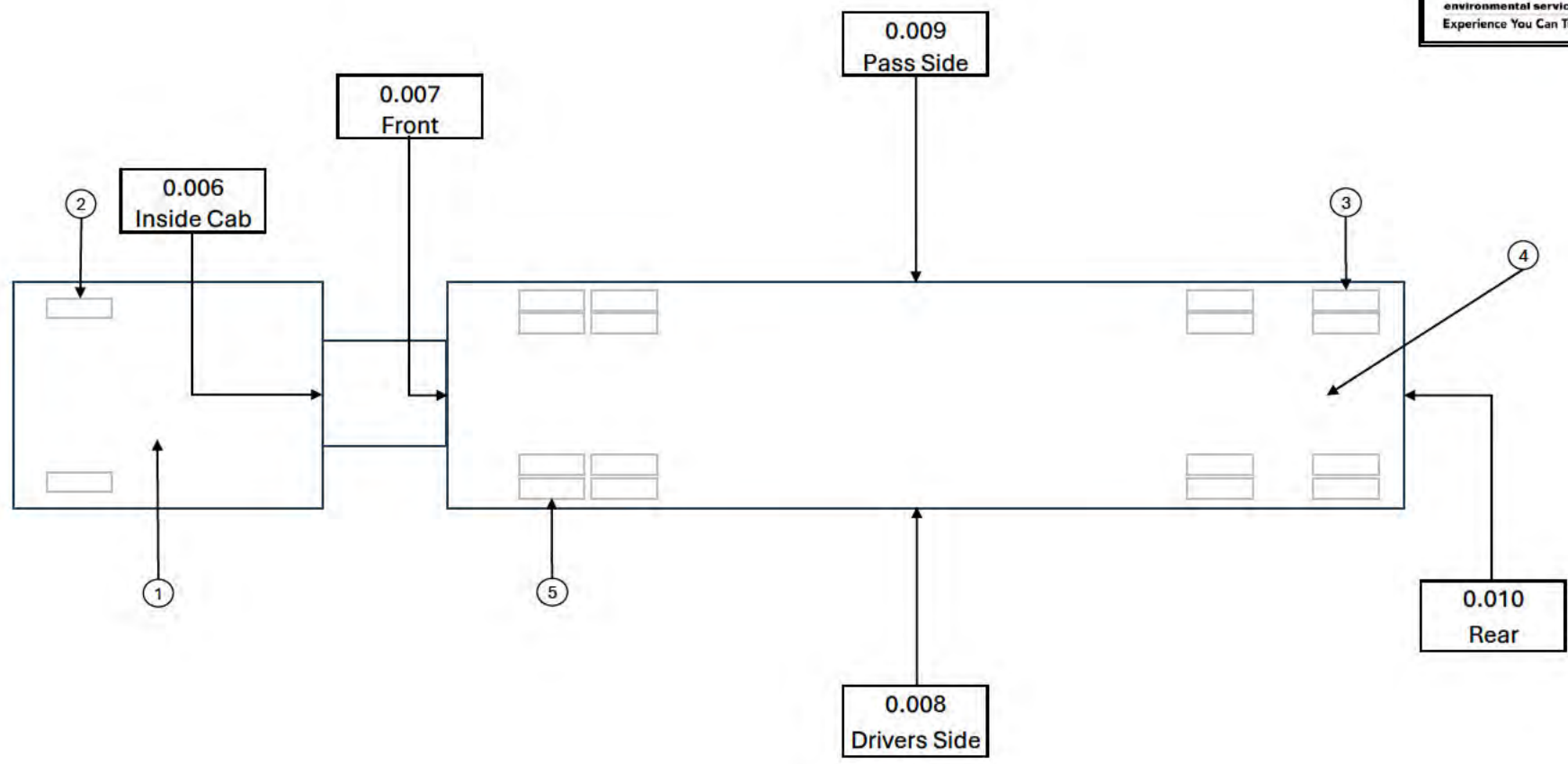
Manifest Gallons: 5,000 Sample Taken By:  Top Down Comments: \_\_\_\_\_

Received Gallons: 5,355  
1-452  
2-333  
3-126,721 127,506

Driver Name (print): [Redacted] Driver Signature: [Redacted]

Pad Signature: [Redacted]

Survey Number: FBF-081925-316		Item Surveyed: Tractor Lic Plate: PME6341 State: OH Trailer Lic Plate: TTG4405 State: OH		 Total Activity displayed in dpm/100cm <sup>2</sup>										
Date Surveyed: 8/19/2025		Comments: Removable activity measurements listed on this survey were taken in accordance with US Department of Transportation 49 CFR § 173.443. As such, smears were collected over a 300 cm <sup>2</sup> area and the activity is reported in dpm/cm <sup>2</sup> . Alpha removable activity limit: 24 dpm/cm <sup>2</sup> Beta-gamma removable activity limit: 240 dpm/cm <sup>2</sup>												
Survey Tech: [REDACTED]		<b>Gamma Activity</b>		<b>Total Activity</b>			<b>Removable Activity</b>							
Date Counted: 8/19/2025														
Count Room Tech: [REDACTED]		Dose Rate		Count Rate		Alpha		Beta-Gamma		Alpha		Beta-Gamma		
Survey Type: Outgoing DOT Waste Conveyance		See Second Page For Dose Rate Information		<del>           [REDACTED]         </del>		<del>           [REDACTED]         </del>		<del>           [REDACTED]         </del>		3030		3030		
Level Of Posting: None										3030		3030		
Instrument Model										271327		271327		
Instrument Serial Number										3/26/2026		3/26/2026		
Cal Due Date										32.32%		23.52%		
Instrument Efficiency										10%		10%		
Smear Efficiency										300		300		
Probe Correction Factor										60		60		
Background Count Time (min)										0.5		0.5		
Sample Count Time (min)										21		2134		
Instrument Background		0.09		0.48										
MDC		N/A		N/A		N/A		N/A		N/A		N/A		
No	Description/Location	Gross cpm	Gross Counts	Net cpm	Net Activity	Gross Counts	Net cpm	Net Activity	Gross Counts	Net cpm	Net Activity	Gross Counts	Net cpm	Net Activity
1	Floor - inside cab								0	0	-0.04	18	0	0.06
2	Tire - tractor front passenger side								0	0	-0.04	18	0	0.06
3	Tire - trailer rearmost outer								0	0	-0.04	17	-2	-0.22
4	Hose connection								0	0	-0.04	16	-4	-0.51
5	Tire - tractor rearmost outer								0	0	-0.04	20	4	0.63



Tractor License Plate # PME6341 State OH Instrument 2350-1 Cal Due Date 7/22/2026  
 Model 44-2  
 Trailer License Plate # TTG4405 State OH Instrument 260157 Background 0.009 mR/hr  
 Serial Number PR273892

Survey Number	FBF-081925-316
Date Surveyed	8/19/2025
Survey Tech	██████████
Date Counted	8/19/2025
Count Room Tech	██████████
Survey Type	Outgoing DOT Waste Conveyance
Level Of Posting	None

Reviewed By ██████████

#7

NON-HAZARDOUS WASTE MANIFEST

1. Generator ID Number  
2. Page 1 of  
3. Emergency Response Phone 740-610-1852  
4. Waste Tracking Number 250820-121-01

5. Generator's Name and Mailing Address: USEPA Region 3 - C Wagner (33D3C)  
1600 JFK Blvd  
Philadelphia, PA 19103  
804-337-3049  
Generator's Site Address (if different than mailing address):  
USEPA Region 3 Fairmont Brine Site  
168 APR Drive Fairmont, VA 26554  
804-337-3049

6. Transporter 1 Company Name: Buckeye Brine LLC - 23986 Airport Road Coshoston Ohio 43812 DOT 3074258 U.S. EPA ID No.

7. Transporter 2 Company Name U.S. EPA ID No.

8. Designated Facility Name and Site Address: Buckeye Brine LLC  
23986 Airport Road  
Coshoston Ohio 43812  
740-610-3852 U.S. EPA ID Number



9. Waste Shipping Name and Description	10. Containers		11. Total Quantity	12. Unit Wt./Vol.
	No.	Type		
1. Non- RCRA/Non-DOT Regulated Liquid (Concrete Basin Liquid)			5,000	GAL
2.				
3.				
4.				

13. Special Handling Instructions and Additional Information: Buckeye Brine Approved Profile IW-1326-00-003  
TRUCK ID 903 TRAILER 102 TRAILER PLATE TTG 4463 STATE OH REC GAL 5,250

14. GENERATOR'S/OFFEROR'S CERTIFICATION: I hereby declare that the contents of this consignment are fully and accurately described above by the proper shipping name, and are classified, packaged, marked and labeled/placarded, and are in all respects in proper condition for transport according to applicable international and national governmental regulations.

Generator's/Offoror's Printed/Typed Name: Lyle Devine on behalf of USEPA Signature: [Signature] Month Day Year: 08 20 25

15. International Shipments:  Import to U.S.  Export from U.S. Port of entry/exit: Date leaving U.S.:

16. Transporter Acknowledgment of Receipt of Materials: [Redacted Name] Signature: [Redacted Signature] Month Day Year: 08 20 25

17. Discrepancy: 17a. Discrepancy Indication Space:  Quantity  Type  Residue  Partial Rejection  Full Rejection

17b. Alternate Facility (or Generator): Manifest Reference Number: U.S. EPA ID Number

17c. Signature of Alternate Facility (or Generator): Month Day Year:

18. Designated Facility Owner or Operator. Certification of receipt of materials covered by the manifest except as noted in item 17a: [Redacted Name] Signature: [Redacted Signature] Month Day Year: 08 20 25

GENERATOR  
INTL  
TRANSPORTER  
DESIGNATED FACILITY

**BUCKEYE  
BRINE**

Transportation & Disposal

**Industrial**  
Coshocton Facility  
23986 Airport Rd.  
Coshocton, OH 43812  
740-295-9325



IC14938

Date: 8-20-25 Time In: 12:27 Time Out: 13:04

Scheduled Time: \_\_\_\_\_ On Pad Time: 12:29

Generator: 1326-00 USEPA Region 3 Fairmont Brine Site EPA ID # WVR000521948

Generator Address: 168 AFR Drive Fairmont WV 26554

Profile #: IW-1326-00-003 Material Name: Fairmont Brine - Concrete Basin Liquid

Customer: Perma-Fix Environmental Services, Inc. Project #:

BOL/Manifest #: 250820-121-01

Transporter: BUCKEYE BRINE Truck #: 903 Trailer #: 102

Transporter/Tanker  Bottle  Other

Material Description:  
Non-hazardous

EH&S Comments:

Receiving Material:

LAB: Tank Assignment: 12 Initial: JF Approved to Receive: [Signature]

PAD: Unloading Pad: 1 4 5 Direct Inject Load:  Yes Well # \_\_\_\_\_

Receiving Tank #: 12 Tank Volume Before: 51 Tank Volume After: 120

Rinse Out:  Yes or  No Rinse Out Gallons: \_\_\_\_\_ Driver's Initial: mk

Approved By: \_\_\_\_\_ Contact Phone #: \_\_\_\_\_

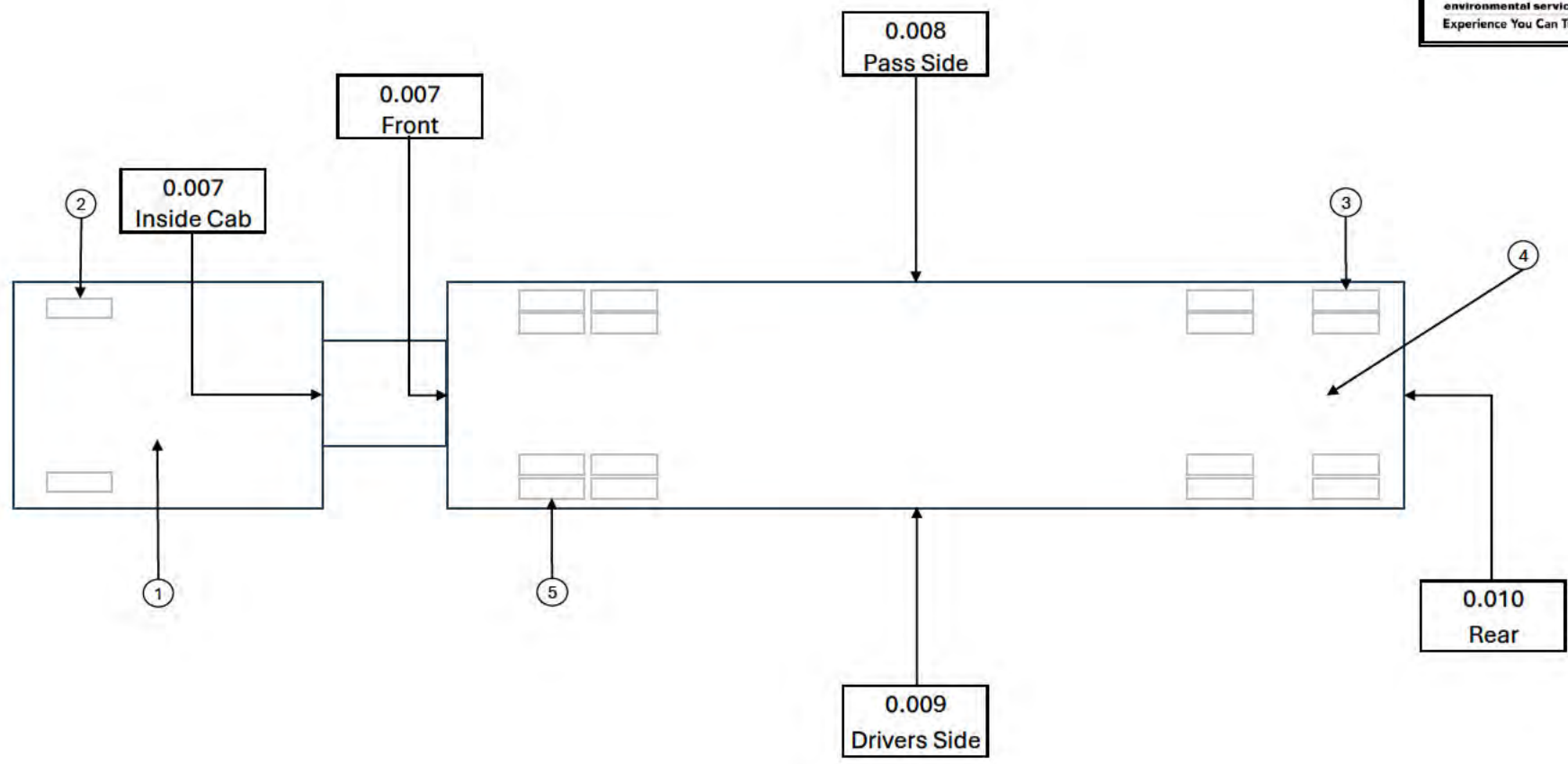
Manifest Gallons: <u>5,000</u>	Sample Taken By: <input checked="" type="checkbox"/> Top Down	Comments: <u>125,007</u>
Received Gallons: <u>5,250</u>	<u>1-123.531</u> <u>2-1.476</u>	

Driver Name (print): [Redacted] Driver Signature: [Redacted]

Pad Signature: [Redacted]

119





Tractor License Plate # 3230093

State IN

Instrument 2350-1

Cal Due Date 7/22/2026

Model 44-2

Trailer License Plate # TTG4403

State OH

Instrument 260157

Background 0.009 mR/hr

Serial Number PR273892

Survey Number	FBF-082025-324
Date Surveyed	8/20/2025
Survey Tech	██████████
Date Counted	8/20/2025
Count Room Tech	██████████
Survey Type	Outgoing DOT Waste Conveyance
Level Of Posting	None

Reviewed By ██████████

#8



IC14941

250820-110-01

NON-HAZARDOUS WASTE MANIFEST

1. Generator ID Number

2. Page 1 of

3. Emergency Response Phone

4. W.

5. Generator's Name and Mailing Address: USEPA Region 3 - C. Wagner (35D32) 1800 JFK Blvd Philadelphia, PA 19103 804-337-3049

Generator's Site Address (if different than mailing address): USEPA Region 3 Fairmont Brine Site 168 AFP Drive Fairmont WV 26564 804-337-3049

6. Transporter 1 Company Name

Buckeye Brine LLC 23986 Airport Road Coshocton Ohio 43812 DOT 3074268

U.S. EPA ID Number

7. Transporter 2 Company Name

U.S. EPA ID Number

8. Designated Facility Name and Site Address

Buckeye Brine LLC 23986 Airport Road Coshocton Ohio 43812 740-810-3852

U.S. EPA ID Number

Facility's Phone:

9. Waste Shipping Name and Description

10. Containers

11. Total Quantity

12. Unit Wt./Vol.

1 Non- RCRA/Non-DOT Regulated Liquid (Concrete Basin Liquid)

1

5,000

GAL.

13. Special Handling Instructions and Additional Information

Buckeye Brine Approved Profile IW-1326-00-003

Rec Gal 5,383

TRUCK ID 904 Trailer 104 TRAILER PLATE TTG 4405 STATE OH

14. GENERATOR'S/OFFEROR'S CERTIFICATION: I hereby declare that the contents of this consignment are fully and accurately described above by the proper shipping name, and are classified, packaged, marked and labeled/placarded, and are in all respects in proper condition for transport according to applicable international and national governmental regulations.

Generator's/Offoror's Printed/Typed Name

Cute Devine on Behalf of USEPA

Signature

[Signature]

Month Day Year 08 20 25

15. International Shipments

Import to U.S.

Export from U.S.

Port of entry/exit:

Date leaving U.S.:

16. Transporter Acknowledgment of Receipt of Materials

Transporter 1 Printed/Typed Name

[Redacted]

Signature

[Redacted]

Month Day Year 08 20 2025

Transporter 2 Printed/Typed Name

Signature

[Redacted]

Month Day Year

17. Discrepancy

17a. Discrepancy Indication Space

Quantity

Type

Residue

Partial Rejection

Full Rejection

17b. Alternate Facility (or Generator)

Manifest Reference Number:

U.S. EPA ID Number

Facility's Phone:

17c. Signature of Alternate Facility (or Generator)

Month Day Year

18. Designated Facility Owner or Operator: Certification of receipt of materials covered by the manifest except as noted in item 17a

Printed/Typed Name

[Redacted]

Signature

[Redacted]

Month Day Year 8 20 25

# BUCKEYE BRINE

Transportation & Disposal

**Industrial**  
Coshocton Facility  
23986 Airport Rd.  
Coshocton, OH 43812  
740-295-9325



IC14941

Date: 8-20-25 Time In: 13:19 Time Out: 14:18

Scheduled Time: \_\_\_\_\_ On Pad Time: 13:20

Generator: 1326-00 USEPA Region 3 Fairmont Brine Site EPA ID # WVR000521948

Generator Address: 168 AFR Drive Fairmont WV 26554

Profile #: IW-1326-00-003 Material Name: Fairmont Brine - Concrete Basin Liquid

Customer: Perma-Fix Environmental Services, Inc. Project #:

BOL/Manifest #: 250820-110-01

Transporter: BUCKEYE BRINE Truck #: 904 Trailer #: 104

Transporter/Tanker  Bottle  Other

Material Description:  
Non-hazardous

EH&S Comments:

### Receiving Material:

LAB: Tank Assignment: 12 Initial: JF Approved to Receive: [Signature]

PAD: Unloading Pad: 1 4 (5) Direct Inject Load:  Yes Well # \_\_\_\_\_

Receiving Tank #: 12 Tank Volume Before: 94 Tank Volume After: 71

Rinse Out:  Yes or  No Rinse Out Gallons: \_\_\_\_\_ Driver's Initial: [Signature]

Approved By: \_\_\_\_\_ Contact Phone #: \_\_\_\_\_

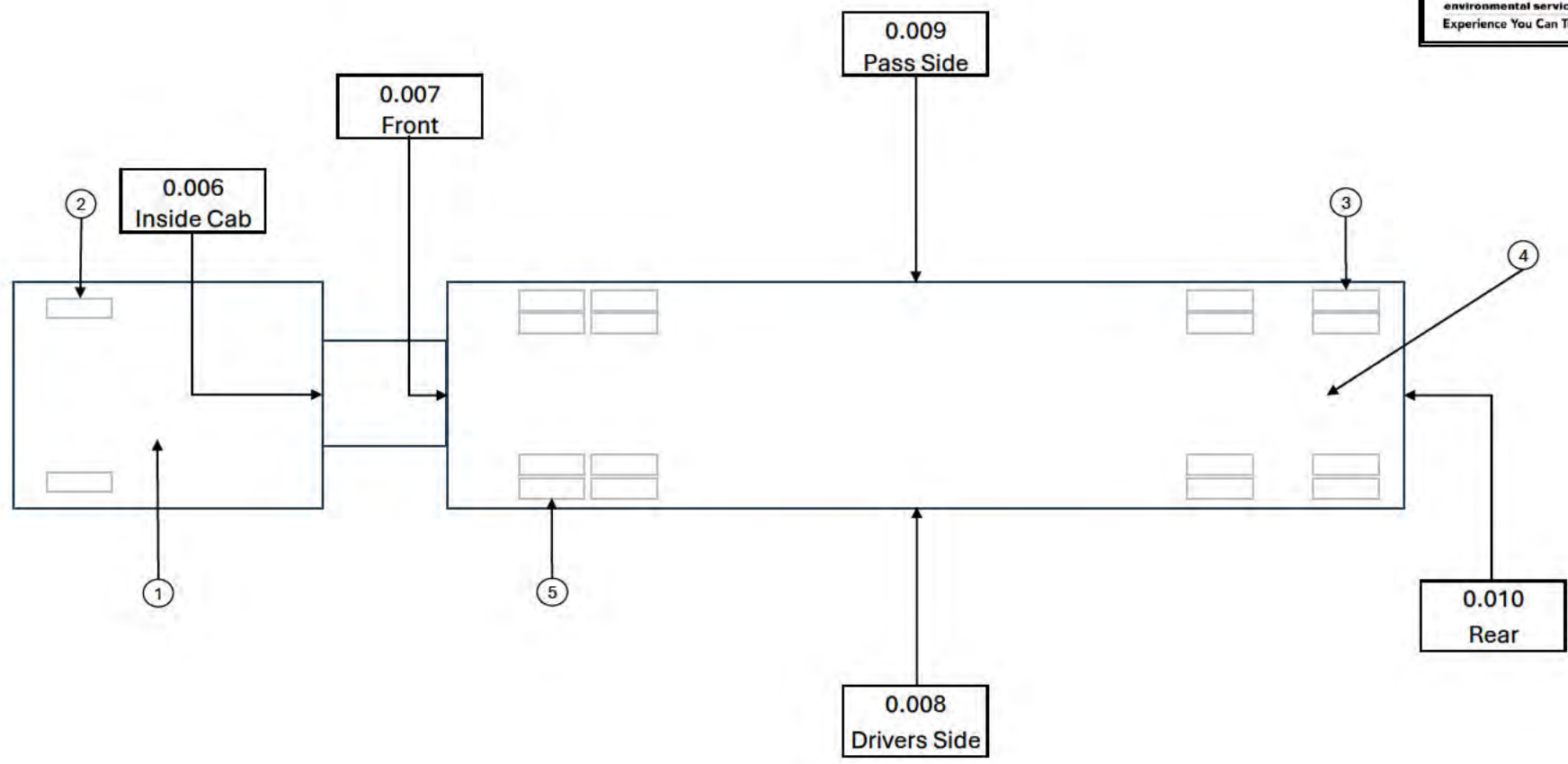
Manifest Gallons: 5,000 Sample Taken By:  Top Down Comments: \_\_\_\_\_

Received Gallons: 5,389 128.174

Driver Name (print): [Redacted] Driver Signature: [Redacted]

Pad Signature: [Redacted]





Tractor License Plate # 3230092 State IN Instrument 2350-1 Cal Due Date 7/22/2026  
 Model 44-2  
 Trailer License Plate # TTG4405 State OH Instrument 260157 Background 0.009 mR/hr  
 Serial Number PR273892

Survey Number	FBF-082025-323
Date Surveyed	8/20/2025
Survey Tech	██████████
Date Counted	8/20/2025
Count Room Tech	██████████
Survey Type	Outgoing DOT Waste Conveyance
Level Of Posting	None

Reviewed By ██████████



IC14940

#9

250820-115-01

NON-HAZARDOUS WASTE MANIFEST 1. Generator ID Number 2. Page 1 of 3. Emergency Response Phone 740-610-3852

5. Generator's Name and Mailing Address: USEPA Region 3 - C Wagner (3SD32) 1500 JFK Blvd Philadelphia, PA 19103 804-337-3049  
 Generator's Site Address (if different than mailing address): USEPA Region 3 Fairmont Brine Site 166 AFR Drive Fairmont, WV 26554 804-337-3049

6. Transporter 1 Company Name: Buckeye Brine LLC 23986 Airport Road Coshocton Ohio 43812 DOT 3074256 U.S. EPA ID Number

7. Transporter 2 Company Name U.S. EPA ID Number

8. Designated Facility Name and Site Address: Buckeye Brine LLC 23986 Airport Road Coshocton Ohio 43812 740-610-3852 U.S. EPA ID Number

9. Waste Shipping Name and Description	10. Containers		11. Total Quantity	12. Unit Wt./Vol.
	No.	Type		
1. Non- RCRA/Non-DOT Regulated Liquid (Concrete Basin Liquid)		TT	5,000	GAL.
2.				
3.				
4.				

13. Special Handling Instructions and Additional Information: Buckeye Brine Approved Profile IW-1326-00-003  
 TRUCK ID 901 Trailer 103 TRAILER PLATE TTG 4404 STATE OH REC GAL 5,041

14. GENERATOR'S/OFFEROR'S CERTIFICATION: I hereby declare that the contents of this consignment are fully and accurately described above by the proper shipping name, and are classified, packaged, marked and labeled/placarded, and are in all respects in proper condition for transport according to applicable international and national governmental regulations.

Generator's/Offoror's Printed/Typed Name: Cole Devine on Behalf of USEPA Signature: [Signature] Month: 08 Day: 20 Year: 25

15. International Shipments  Import to U.S.  Export from U.S. Port of entry/exit: Date leaving U.S.:

16. Transporter Acknowledgment of Receipt of Materials  
 Transporter 1 Printed/Typed Name: [Redacted] Signature: [Signature] Month: 8 Day: 20 Year: 25  
 Transporter 2 Printed/Typed Name: [Redacted] Signature: [Signature] Month: Day: Year:

17. Discrepancy  
 17a. Discrepancy Indication Space  Quantity  Type  Residue  Partial Rejection  Full Rejection

17b. Alternate Facility (or Generator) Manifest Reference Number: U.S. EPA ID Number

17c. Signature of Alternate Facility (or Generator) Month: Day: Year:

18. Designated Facility Owner or Operator: Certification of receipt of materials covered by the manifest except as noted in Item 17a  
 Printed/Typed Name: [Redacted] Signature: [Signature] Month: 8 Day: 20 Year: 25



Industrial  
Coshocton Facility  
23986 Airport Rd.  
Coshocton, OH 43812  
740-295-9325



Date: 8-20-25 Time In: 13:18 Time Out: 14:02

Scheduled Time: \_\_\_\_\_ On Pad Time: 13:20

Generator: 1326-00 USEPA Region 3 Fairmont Brine Site EPA ID # WVR000521948

Generator Address: 168 AFR Drive Fairmont WV 26554

Profile #: IW-1326-00-003 Material Name: Fairmont Brine - Concrete Basin Liquid

Customer: Perma-Fix Environmental Services, Inc. Project #:

BOL/Manifest #: 250820-115-01

Transporter: BUCKEYE BRINE Truck #: 901 Trailer #: 103

Transporter/Tanker  Bottle  Other

Material Description:  
Non-hazardous

EH&S Comments:

Receiving Material:

LAB: Tank Assignment: 12 Initial: JF Approved to Receive: [Signature]

PAD: Unloading Pad: 1 ④ 5 Direct Inject Load:  Yes Well # \_\_\_\_\_

Receiving Tank #: 12 Tank Volume Before: 94 Tank Volume After: 71

Rinse Out:  Yes or  No Rinse Out Gallons: \_\_\_\_\_ Driver's Initial: JP

Approved By: \_\_\_\_\_ Contact Phone #: \_\_\_\_\_

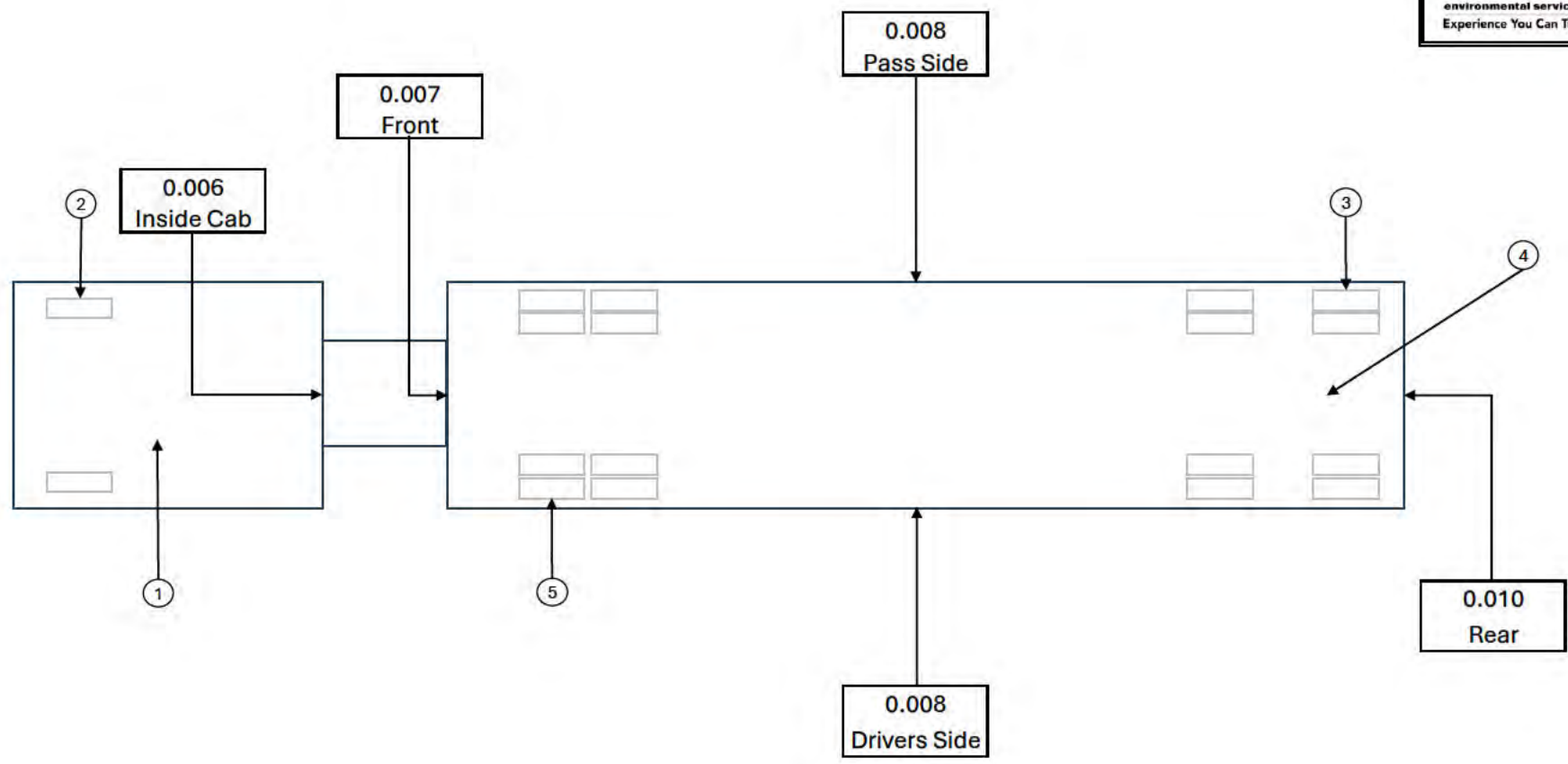
Manifest Gallons: 5,000 Sample Taken By:  Top Down Comments: 120.03

Received Gallons: 5,041 1- 4.595 2- 115.435

Driver Name (print): [Redacted] Driver Signature: [Redacted]

Pad Signature: [Redacted]





Tractor License Plate # PME6341 State OH Instrument 2350-1 Cal Due Date 7/22/2026  
 Model 44-2  
 Trailer License Plate # TTG4404 State OH Instrument 260157 Background 0.009 mR/hr  
 Serial Number PR273892

Survey Number	FBF-082025-322
Date Surveyed	8/20/2025
Survey Tech	██████
Date Counted	8/20/2025
Count Room Tech	██████
Survey Type	Outgoing DOT Waste Conveyance
Level Of Posting	None

Reviewed By ████████████████████

#10

NON-HAZARDOUS WASTE MANIFEST

1. Generator ID Number  
2. Page 1 of  
3. Emergency Response Phone: 40-610-3852  
4. Waste Tracking Number: 250821-121-01

5. Generator's Name and Mailing Address: USEPA Region 3 - C. Wagner (35D32) 1800 JFK Blvd Philadelphia, PA 19103 304-337-3049  
Generator's Site Address (if different than mailing address): USEPA Region 3 Fairmont Brine Site 158 4th Drive Fairmont, WV 26654 304-337-3049

6. Transporter 1 Company Name: Buckeye Brine LLC 23988 Airport Road Coshocton Ohio 43812 DOT 3074259 U.S. EPA I



7. Transporter 2 Company Name U.S. EPA I

8. Designated Facility Name and Site Address: Buckeye Brine LLC 23988 Airport Road Coshocton Ohio 43812 740-610-3852 U.S. EPA ID Number

9. Waste Shipping Name and Description	10. Containers		11. Total Quantity	12. Unit Wt./Vol.
	No.	Type		
1 Non- RCRA/Non-DOT Regulated Liquid (Concrete Basin Liquid)		IT	5,000	GAL
2				
3				
4				

13. Special Handling Instructions and Additional Information: Buckeye Brine Approved Profile JW-1326-00-003  
TRUCK ID 903 Trailer 102 TRAILER PLATE TTG 4403 STATE OH  
Rec'd 5,479

14. GENERATOR'S/OFFEROR'S CERTIFICATION: I hereby declare that the contents of this consignment are fully and accurately described above by the proper shipping name, and are classified, packaged, marked and labeled/placarded, and are in all respects in proper condition for transport according to applicable international and national governmental regulations.  
Generator's/Offeror's Printed/Typed Name: Cole Devine on Behalf of EPA Region 3 Signature: [Signature] Month 08 Day 21 Year 15

15. International Shipments  Import to U.S.  Export from U.S. Port of entry/exit: Date leaving U.S.:

16. Transporter Acknowledgment of Receipt of Materials  
Transporter 1 Printed/Typed Name: [Redacted] Signature: [Signature] Month 08 Day 21 Year 15  
Transporter 2 Printed/Typed Name: [Redacted] Signature: [Signature] Month Day Year

17. Discrepancy  
17a. Discrepancy Indication Space  Quantity  Type  Residue  Partial Rejection  Full Rejection  
Manifest Reference Number:

17b. Alternate Facility (or Generator) U.S. EPA ID Number  
Facility's Phone:

17c. Signature of Alternate Facility (or Generator) Month Day Year

18. Designated Facility Owner or Operator: Certification of receipt of materials covered by the manifest except as noted in Item 17a  
Printed/Typed Name: [Redacted] Signature: [Signature] Month 08 Day 21 Year 15

GENERATOR  
INT'L  
TRANSPORTER  
DESIGNATED FACILITY

**BUCKEYE  
BRINE**

Transportation & Disposal

**Industrial**  
Coshocton Facility  
23986 Airport Rd.  
Coshocton, OH 43812  
740-295-9325



IC14946

Date: 8-21-25 Time In: 11:14 Time Out: 12:02

Scheduled Time: \_\_\_\_\_ On Pad Time: 11:16

Generator: 1326-00 USEPA Region 3 Fairmont Brine Site EPA ID # WVR000521948

Generator Address: 168 AFR Drive Fairmont WV 26554

Profile #: IW-1326-00-003 Material Name: Fairmont Brine - Concrete Basin Liquid

Customer: Perma-Fix Environmental Services, Inc. Project #:

BOL/Manifest #: 250821-121-01

Transporter: BUCKEYE BRINE Truck #: 903 Trailer #: 102

Transporter/Tanker  Bottle  Other

Material Description:  
Non-hazardous

EH&S Comments:

Receiving Material:

LAB: Tank Assignment: 12 Initial: TD Approved to Receive: Y. Kern

PAD: Unloading Pad: 1 4 (5) Direct Inject Load:  Yes Well # \_\_\_\_\_

Receiving Tank #: 12 Tank Volume Before: 50 Tank Volume After: 123

Rinse Out:  Yes or  No Rinse Out Gallons: \_\_\_\_\_ Driver's Initial: JK

Approved By: \_\_\_\_\_ Contact Phone #: \_\_\_\_\_


Manifest Gallons: 5,000 Sample Taken By:  Top Down Comments: \_\_\_\_\_

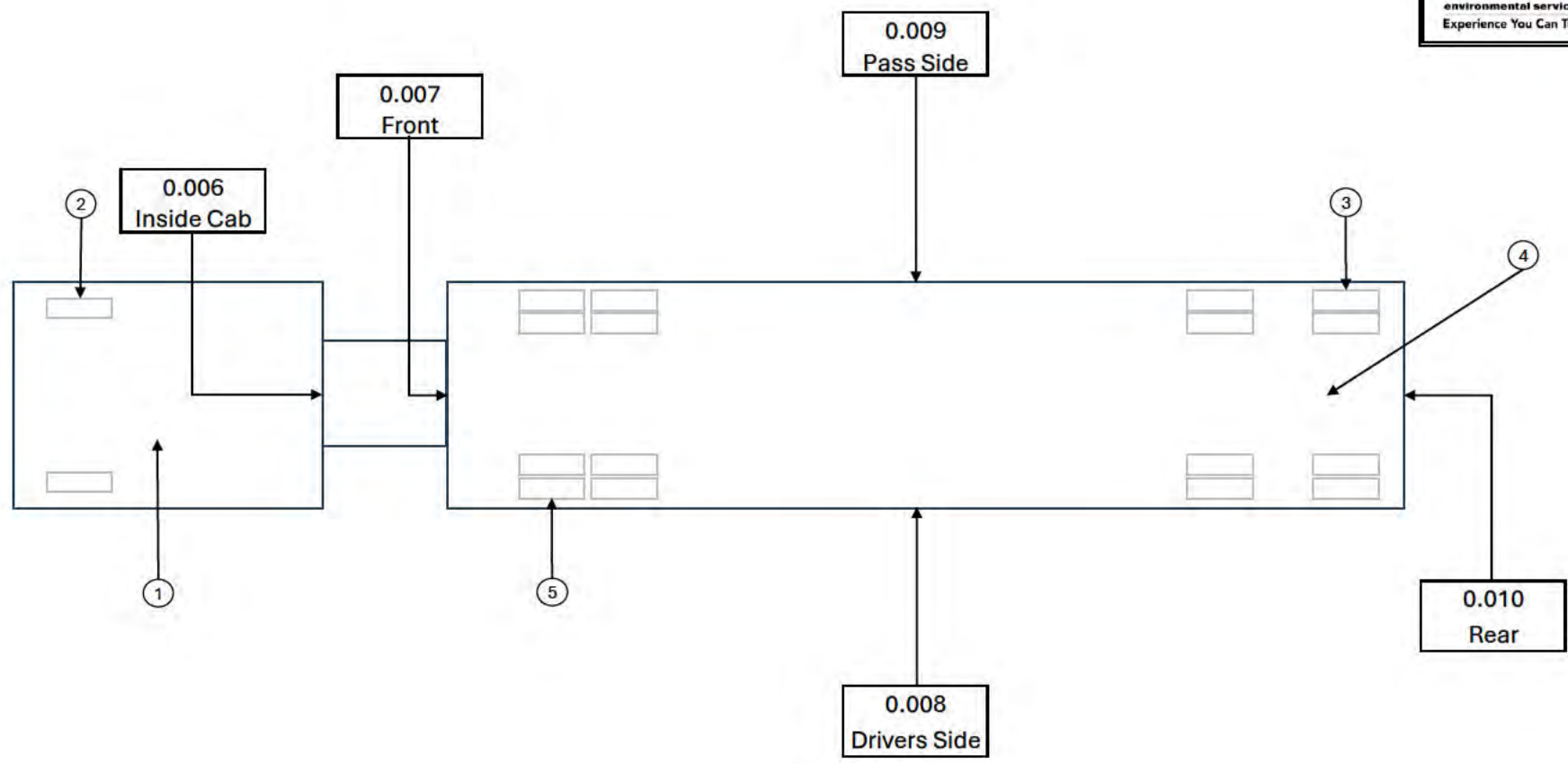
Received Gallons: 5,479 1-8,357 2-121,316 3-1786 130,459

Driver Name (print): \_\_\_\_\_ Driver Signature: \_\_\_\_\_

Pad Signature: \_\_\_\_\_

119

Survey Number: FBF-082125-329		Item Surveyed: Tractor Lic Plate: 3230093 State: IN Trailer Lic Plate: TTG4403 State: OH		 Total Activity displayed in dpm/100cm <sup>2</sup>										
Date Surveyed: 8/21/2025		Comments: Removable activity measurements listed on this survey were taken in accordance with US Department of Transportation 49 CFR § 173.443. As such, smears were collected over a 300 cm <sup>2</sup> area and the activity is reported in dpm/cm <sup>2</sup> . Alpha removable activity limit: 24 dpm/cm <sup>2</sup> Beta-gamma removable activity limit: 240 dpm/cm <sup>2</sup>												
Survey Tech: [REDACTED]		<b>Gamma Activity</b>		<b>Total Activity</b>			<b>Removable Activity</b>							
Date Counted: 8/21/2025														
Count Room Tech: [REDACTED]		Dose Rate		Count Rate		Alpha		Beta-Gamma		Alpha		Beta-Gamma		
Survey Type: Outgoing DOT Waste Conveyance		See Second Page For Dose Rate Information		<del>           [REDACTED]         </del>		<del>           [REDACTED]         </del>		<del>           [REDACTED]         </del>		3030		3030		
Level Of Posting: None										271327		271327		
Instrument Model										3/26/2026		3/26/2026		
Instrument Serial Number										32.32%		23.52%		
Cal Due Date										10%		10%		
Instrument Efficiency										300		300		
Smear Efficiency										60		60		
Probe Correction Factor										0.5		0.5		
Background Count Time (min)										20		2099		
Sample Count Time (min)										0.09		0.48		
Instrument Background														
MDC														
No	Description/Location	Gross cpm	Gross Counts	Net cpm	Net Activity	Gross Counts	Net cpm	Net Activity	Gross Counts	Net cpm	Net Activity	Gross Counts	Net cpm	Net Activity
1	Floor - inside cab								0	0	-0.03	14	-7	-0.99
2	Tire - tractor front passenger side								0	0	-0.03	14	-7	-0.99
3	Tire - trailer rearmost outer								0	0	-0.03	16	-3	-0.42
4	Hose connection								0	0	-0.03	12	-11	-1.56
5	Tire - tractor rearmost outer								1	2	0.17	17	-1	-0.14



Tractor License Plate # 3230093

State IN

Instrument 2350-1

Cal Due Date 7/22/2026

Model 44-2

Trailer License Plate # TTG4403

State OH

Instrument 260157

Background 0.010 mR/hr

Serial Number PR273892

Survey Number	FBF-082125-329
Date Surveyed	8/21/2025
Survey Tech	██████████
Date Counted	8/21/2025
Count Room Tech	██████████
Survey Type	Outgoing DOT Waste Conveyance
Level Of Posting	None

Reviewed By ██████████

# 17



IC14947

25 08 21 - 110 - 01

NON-HAZARDOUS WASTE MANIFEST

1. Generator ID Number

2. Page 1 of

3. Emergency Response Phone

4.

5. Generator's Name and Mailing Address: USEPA Region 3 - C. Wagner (3SD32) 1800 JFK Blvd Philadelphia, PA 19103 804-337-3049

Generator's Site Address (if different than mailing address): USEPA Region 3 Fairmont Brine Site 168 APR Drive Fairmont WV 26554 804-337-3049

Generator's Phone:

6. Transporter 1 Company Name: Buckeye Brine LLC 23988 Airport Road Coshocton Ohio 43812 DOT 3074258

U.S. EPA ID Number

7. Transporter 2 Company Name

U.S. EPA ID Number

8. Designated Facility Name and Site Address: Buckeye Brine LLC 23988 Airport Road Coshocton Ohio 43812 740-610-3852

U.S. EPA ID Number

Facility's Phone:

9. Waste Shipping Name and Description

10. Containers

No

Type

11. Total Quantity

12. Unit W./Vol.

1. Non- RCRA/Non-DOT Regulated Liquid (Concrete Basin Liquid)

TT

5,000

gal

13. Special Handling Instructions and Additional Information

Buckeye Brine Approved Profile IW-1326-00-003

REC BOX 5,151

TRUCK ID 904 Trailer 103 TRAILER PLATE TTG 4404 STATE OH

14. GENERATOR'S/OFFEROR'S CERTIFICATION: I hereby declare that the contents of this consignment are fully and accurately described above by the proper shipping name, and are classified, packaged, marked and labeled/placarded, and are in all respects in proper condition for transport according to applicable international and national governmental regulations.

Generator's/Offeror's Printed/Typed Name

Signature

Month Day Year 08 21 15

COLE Devine on Behalf of EPA Region 3

15. International Shipments  Import to U.S.  Export from U.S.

Port of entry/exit:

Transporter Signature (for exports only):

Date leaving U.S.:

16. Transporter Acknowledgment of Receipt of Materials

Transporter 1 Printed/Typed Name

Signature

Month Day Year 08 21 2015

[Redacted Name]

Transporter 2 Printed/Typed Name

Signature

Month Day Year 08 21 2015

17. Discrepancy

17a. Discrepancy Indication Space  Quantity  Type  Residue  Partial Rejection  Full Rejection

Manifest Reference Number:

17b. Alternate Facility (or Generator)

U.S. EPA ID Number

Facility's Phone:

17c. Signature of Alternate Facility (or Generator)

Month Day Year

18. Designated Facility Owner or Operator: Certification of receipt of materials covered by the manifest except as noted in item 17a

Printed/Typed Name

Month Day Year 8 21 25

GENERATOR

INTL

TRANSPORTER

DESIGNATED FACILITY

**BUCKEYE  
BRINE**

Transportation & Disposal

**Industrial**

Coshocton Facility  
23986 Airport Rd.  
Coshocton, OH 43812  
740-295-9325



IC14947

Date: 8-21-25 Time In: 12:40 Time Out: 13:22

Scheduled Time: \_\_\_\_\_ On Pad Time: 12:42

Generator: 1326-00 USEPA Region 3 Fairmont Brine Site EPA ID # WVR000521948

Generator Address: 168 AFR Drive Fairmont WV 26554

Profile #: IW-1326-00-003 Material Name: Fairmont Brine - Concrete Basin Liquid

Customer: Perma-Fix Environmental Services, Inc. Project #:

BOL/Manifest #: 250821-110-01

Transporter: BUCKEYE BRINE Truck #: 904 Trailer #: 103

Transporter/Tanker  Bottle  Other

Material Description:  
Non-hazardous

EH&S Comments:

**Receiving Material:**

LAB: Tank Assignment: 12 Initial: JF Approved to Receive: [Signature]

PAD: Unloading Pad: 1 4 5 Direct Inject Load:  Yes Well # \_\_\_\_\_

Receiving Tank #: 12 Tank Volume Before: 100 Tank Volume After: 120

Rinse Out:  Yes or  No Rinse Out Gallons: \_\_\_\_\_ Driver's Initial: JJ


Approved By: \_\_\_\_\_ Contact Phone #: \_\_\_\_\_

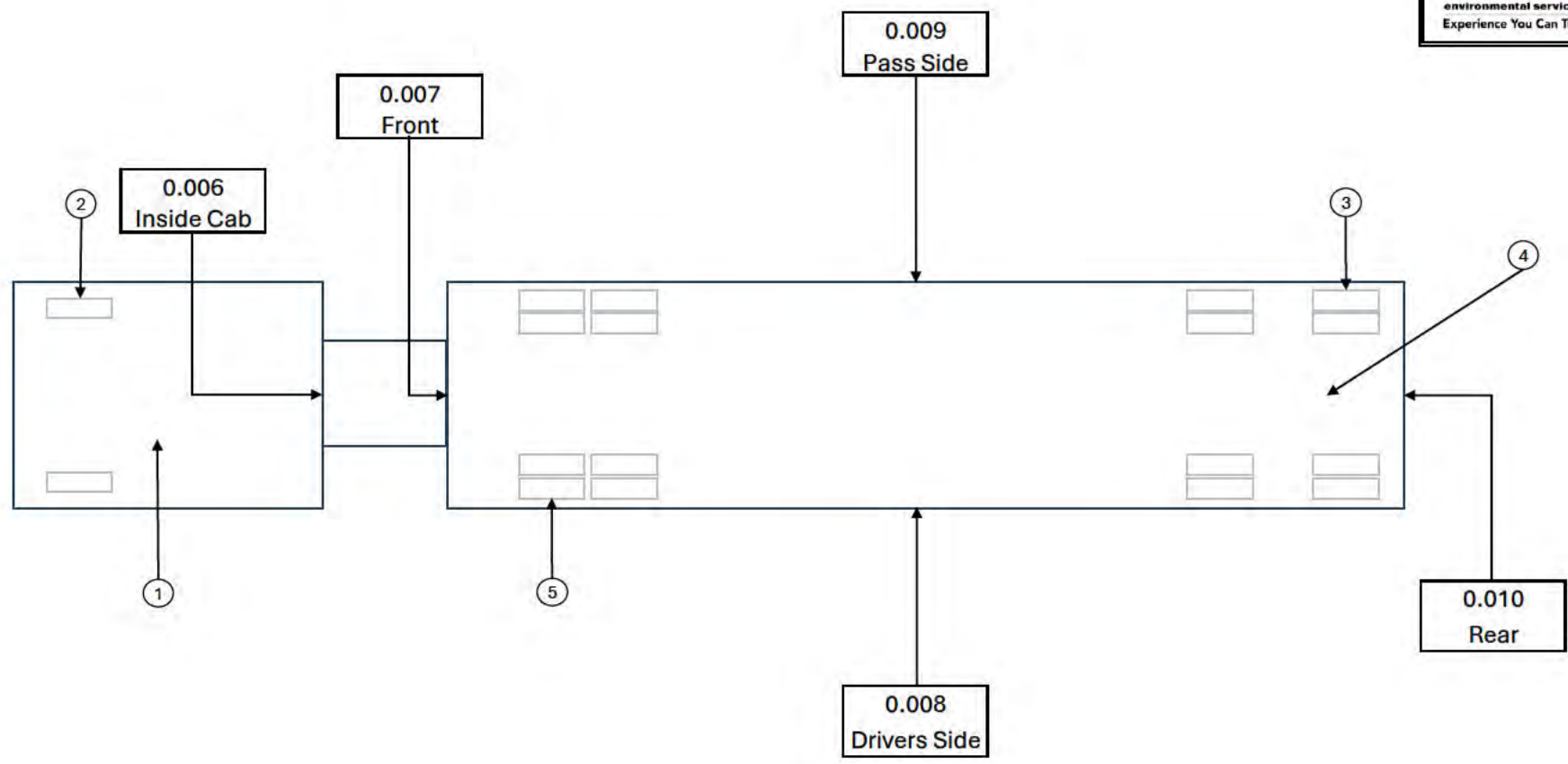
Manifest Gallons: 5,000 Sample Taken By:  Top Down Comments: 122,649

Received Gallons: 5,151 1-714  
2-126,935

Driver Name (print): \_\_\_\_\_ Driver Signature: \_\_\_\_\_

Pad Signature: \_\_\_\_\_

Survey Number	FBF-082125-330	Item Surveyed	Tractor Lic Plate: 3230092	State: IN	Trailer Lic Plate: TTG4404	State: OH	 <b>PermaFix</b> environmental services Experience You Can Trust											
Date Surveyed	8/21/2025	Comments	Removable activity measurements listed on this survey were taken in accordance with US Department of Transportation 49 CFR § 173.443. As such, smears were collected over a 300 cm <sup>2</sup> area and the activity is reported in dpm/cm <sup>2</sup> . Alpha removable activity limit: 24 dpm/cm <sup>2</sup> Beta-gamma removable activity limit: 240 dpm/cm <sup>2</sup>										Total Activity displayed in dpm/100cm <sup>2</sup>					
Survey Tech		<b>Gamma Activity</b>		<b>Total Activity</b>				<b>Removable Activity</b>										
Date Counted	8/21/2025	Dose Rate	Count Rate	Alpha			Beta-Gamma			Alpha			Beta-Gamma					
Count Room Tech		See Second Page For Dose Rate Information					<del>           (This section is crossed out with a diagonal line)         </del>			3030			3030					
Survey Type	Outgoing DOT Waste Conveyance												271327			271327		
Level Of Posting	None												3/26/2026			3/26/2026		
Instrument Model													32.32%			23.52%		
Instrument Serial Number													10%			10%		
Cal Due Date													300			300		
Instrument Efficiency													60			60		
Instrument Efficiency													0.5			0.5		
Smear Efficiency													20			2099		
Probe Correction Factor													0.09			0.48		
Background Count Time (min)																		
Sample Count Time (min)																		
Instrument Background																		
MDC																		
No	Description/Location	Gross cpm	Gross Counts	Net cpm	Net Activity	Gross Counts	Net cpm	Net Activity	Gross Counts	Net cpm	Net Activity	Gross Counts	Net cpm	Net Activity				
1	Floor - inside cab								0	0	-0.03	17	-1	-0.14				
2	Tire - tractor front passenger side								0	0	-0.03	24	13	1.84				
3	Tire - trailer rearmost outer								0	0	-0.03	21	7	0.99				
4	Hose connection								0	0	-0.03	16	-3	-0.42				
5	Tire - tractor rearmost outer								0	0	-0.03	22	9	1.28				



Tractor License Plate # 3230092

State IN

Instrument 2350-1

Cal Due Date 7/22/2026

Model 44-2

Trailer License Plate # TTG4404

State OH

Instrument 260157

Background 0.010 mR/hr

Serial Number PR273892

Survey Number	FBF-082125-330
Date Surveyed	8/21/2025
Survey Tech	██████
Date Counted	8/21/2025
Count Room Tech	██████
Survey Type	Outgoing DOT Waste Conveyance
Level Of Posting	None

Reviewed By ████████████████████

#12



IC14948

250821-126-01

NON-HAZARDOUS WASTE MANIFEST

1. Generator ID Number  
 2. Page 1 of  
 3. Emergency Response Phone 740-610-3852  
 4. Was

5. Generator's Name and Mailing Address: USEPA Region 3 - C. Wagner (35032)  
 1600 JFK Blvd.  
 Philadelphia, PA 19103  
 804-337-3049  
 Generator's Site Address (if different than mailing address):  
 USEPA Region 3 Fairmont Brine Site  
 108 AFR Drive Fairmont WV 26554  
 804-337-3049

6. Transporter 1 Company Name: Buckeye Brine LLC 23986 Airport Road Coshocton Ohio 43812 DOT 3074258 U.S. EPA ID Number

7. Transporter 2 Company Name U.S. EPA ID Number

8. Designated Facility Name and Site Address: Buckeye Brine LLC  
 23986 Airport Road  
 Coshocton Ohio 43812 U.S. EPA ID Number  
 Facility's Phone: 740-610-3852

9. Waste Shipping Name and Description	10. Containers		11. Total Quantity	12. Unit Wt./Vol.
	No.	Type		
1. Non- RCRA/Non-DOT Regulated Liquid (Concrete Basin Liquid)		TT	5,000	GAL
2.				
3.				
4.				

13. Special Handling Instructions and Additional Information: Buckeye Brine Approved Profile IW-1326-00-003  
 TRUCK ID 902 Trailer 101 TRAILER PLATE TTG4402 STATE OH REC 6x5,200

14. GENERATOR'S/OFFEROR'S CERTIFICATION: I hereby declare that the contents of this consignment are fully and accurately described above by the proper shipping name, and are classified, packaged, marked and labeled/placarded, and are in all respects in proper condition for transport according to applicable international and national governmental regulations.

Generator's/Offeror's Printed/Typed Name: Cole Dornie de Beaufort OF EPA Region 3 Signature: [Signature] Month 08 Day 21 Year 23

15. International Shipments:  Import to U.S.  Export from U.S. Port of entry/exit: Date leaving U.S.:

16. Transporter Acknowledgment of Receipt of Materials: Transporter Signature (for exports only):

Transporter 1 Printed/Typed Name: [Redacted] Signature: [Redacted] Month 8 Day 21 Year 25  
 Transporter 2 Printed/Typed Name: [Redacted] Signature: [Redacted] Month Day Year

17. Discrepancy: 17a. Discrepancy Indication Space  Quantity  Type  Residue  Partial Rejection  Full Rejection

17b. Alternate Facility (or Generator): Manifest Reference Number: U.S. EPA ID Number:

Facility's Phone: 17c. Signature of Alternate Facility (or Generator): Month Day Year

18. Designated Facility Owner or Operator: Certification of receipt of materials covered by the manifest except as noted in Item 17a

Printed/Typed Name: [Redacted] Signature: [Redacted] Month 8 Day 21 Year 25

GENERATOR

INTL

TRANSPORTER

DESIGNATED FACILITY

# BUCKEYE BRINE

Transportation & Disposal

**Industrial**  
Coshocton Facility  
23986 Airport Rd.  
Coshocton, OH 43812  
740-295-9325



IC14948

Date: 8-21-24 Time In: 12:38 Time Out: 14:00

Scheduled Time: \_\_\_\_\_ On Pad Time: 13:28

Generator: 1326-00 USEPA Region 3 Fairmont Brine Site EPA ID # WVR000521948

Generator Address: 168 AFR Drive Fairmont WV 26554

Profile #: IW-1326-00-003 Material Name: Fairmont Brine - Concrete Basin Liquid

Customer: Perma-Fix Environmental Services, Inc. Project #:

BOL/Manifest #: 250821-126-01

Transporter: BUCKEYE BRINE Truck #: 902 Trailer #: 101

Transporter/Tanker  Bottle  Other

Material Description:  
Non-hazardous

EH&S Comments:

### Receiving Material:

LAB: Tank Assignment: 12 Initial: TB Approved to Receive: [Signature]

PAD: Unloading Pad: 1 4 (5) Direct Inject Load:  Yes Well # \_\_\_\_\_

Receiving Tank #: 12 Tank Volume Before: 126 Tank Volume After: 196


Rinse Out:  Yes or  No Rinse Out Gallons: \_\_\_\_\_ Driver's Initial: SS

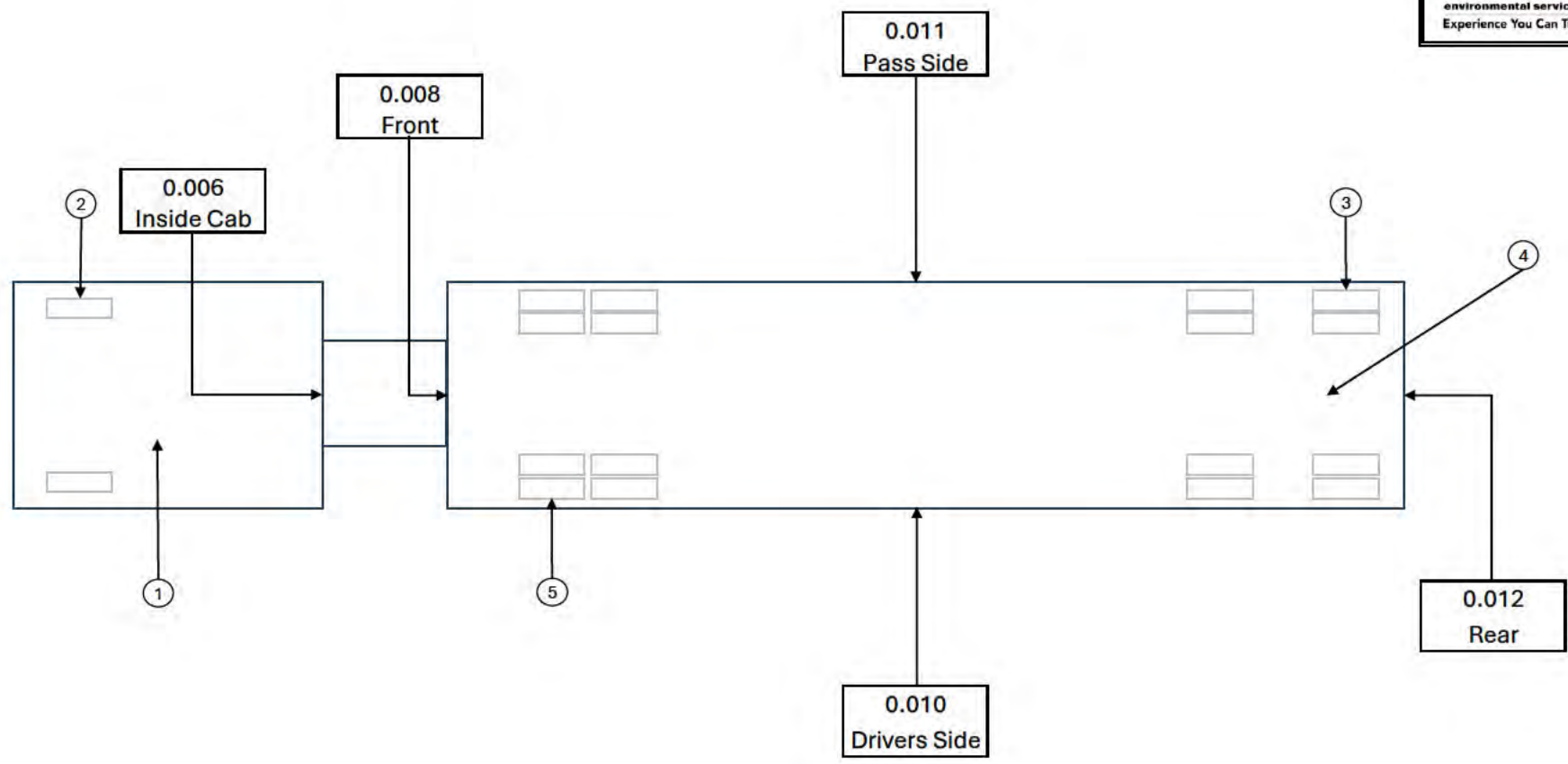
Approved By: \_\_\_\_\_ Contact Phone #: \_\_\_\_\_

Manifest Gallons: <u>5,000</u>	Sample Taken By: <input checked="" type="checkbox"/> Top Down	Comments:
Received Gallons: <u>5,206</u>	<u>1-123,221</u> <u>2-.738</u>	<u>123,959</u>

Driver Name (print): \_\_\_\_\_ Driver Signature: \_\_\_\_\_

Pad Signature: \_\_\_\_\_

Survey Number	FBF-082125-331	Item Surveyed	Tractor Lic Plate: PME6342 State: OH Trailer Lic Plate: TTG4402 State: OH				 <i>Total Activity displayed in dpm/100cm²</i>										
Date Surveyed	8/21/2025	Comments	Removable activity measurements listed on this survey were taken in accordance with US Department of Transportation 49 CFR § 173.443. As such, smears were collected over a 300 cm² area and the activity is reported in dpm/cm². Alpha removable activity limit: 24 dpm/cm² Beta-gamma removable activity limit: 240 dpm/cm²														
Survey Tech		<b>Gamma Activity</b>		<b>Total Activity</b>				<b>Removable Activity</b>									
Date Counted	8/21/2025	Dose Rate	Count Rate		Alpha		Beta-Gamma		Alpha			Beta-Gamma					
Count Room Tech		See Second Page For Dose Rate Information		N/A		/		3030			3030						
Survey Type	Outgoing DOT Waste Conveyance			N/A				271327			271327						
Level Of Posting	None			N/A				3/26/2026			3/26/2026						
Instrument Model				N/A				32.32%			23.52%						
Instrument Serial Number				N/A				N/A		N/A		10%			10%		
Cal Due Date				N/A				1		1		300			300		
Instrument Efficiency				N/A				1		1		60			60		
Instrument Efficiency				N/A				1		1		0.5			0.5		
Smear Efficiency				N/A				1		1		20			2099		
Probe Correction Factor				N/A				0.09		0.48							
Background Count Time (min)																	
Sample Count Time (min)																	
Instrument Background																	
MDC																	
No	Description/Location	Gross cpm	Gross Counts	Net cpm	Net Activity	Gross Counts	Net cpm	Net Activity	Gross Counts	Net cpm	Net Activity	Gross Counts	Net cpm	Net Activity			
1	Floor - inside cab								1	2	0.17	19	3	0.43			
2	Tire - tractor front passenger side								1	2	0.17	13	-9	-1.27			
3	Tire - trailer rearmost outer								1	2	0.17	17	-1	-0.14			
4	Hose connection								1	2	0.17	21	7	0.99			
5	Tire - tractor rearmost outer								0	0	-0.03	17	-1	-0.14			



Tractor License Plate # PME6342 State OH Instrument 2350-1 Cal Due Date 7/22/2026  
 Model 44-2  
 Trailer License Plate # TTG4402 State OH Instrument 260157 Background 0.010 mR/hr  
 Serial Number PR273892

Survey Number	FBF-082125-331
Date Surveyed	8/21/2025
Survey Tech	J [REDACTED]
Date Counted	8/21/2025
Count Room Tech	[REDACTED]
Survey Type	Outgoing DOT Waste Conveyance
Level Of Posting	None

Reviewed By [REDACTED]

#13



IC15025

250964-121-01

NON-HAZARDOUS WASTE MANIFEST

1. Generator ID Number

2. Page 1 of

3. Emergency Response Phone

4. Wa

5. Generator's Name and Mailing Address: USEPA Region 3 - C Wagner (3SE-32), 1800 JFK Blvd, Philadelphia, PA 19103, 804-337-3049

Generator's Site Address (if different than mailing address): USEPA Region 3 Fairmont Brine Site, 160 AFR Drive, Fairmont, WV 26554, 804-337-3049

Generator's Phone:

6. Transporter 1 Company Name

Buckeye Brine LLC, 23988 Airport Road, Coshocton Ohio 43812, DOT 3074256

U.S. EPA ID Number

7. Transporter 2 Company Name

U.S. EPA ID Number

8. Designated Facility Name and Site Address

Buckeye Brine LLC, 23988 Airport Road, Coshocton Ohio 43812, 740-610-3852

U.S. EPA ID Number

Facility's Phone:

9. Waste Shipping Name and Description

Non- RCRA/Non-DOT Regulated Liquid (Concrete Basin Liquid)

10. Containers

No. Type

11. Total Quantity

12. Unit Wt./Vol.

GAL

13. Special Handling Instructions and Additional Information

Buckeye Brine Approved Profile IW-1326-00-003

TRUCK ID 903 Trailer 101 TRAILER PLATE TTG 4402 STATE OH Rec Box 4864

14. GENERATOR'S/OFFEROR'S CERTIFICATION: I hereby declare that the contents of this consignment are fully and accurately described above by the proper shipping name, and are classified, packaged, marked and labeled/placarded, and are in all respects in proper condition for transport according to applicable international and national governmental regulations.

Generator's/Offeror's Printed/Typed Name

Christine Wagner

Signature

Christine Wagner

Month Day Year 09 09 25

15. International Shipments

Export to U.S.

Export from U.S.

Port of entry/wait

Date leaving U.S.

INTL

16. Transporter Acknowledgment of Receipt of Materials

Transporter 1 Printed/Typed Name

[Redacted]

[Redacted Signature]

Month Day Year 09 04 25

TRANSPORTER

17. Discrepancy

17a. Discrepancy Indication Space

Quantity

Type

Residue

Partial Rejection

Full Rejection

DESIGNATED FACILITY

17b. Alternate Facility (or Generator)

Manifest Reference Number:

U.S. EPA ID Number

Facility's Phone:

17c. Signature of Alternate Facility (or Generator)

Month Day Year

18. Designated Facility Owner or Operator: Certification of receipt of materials covered by the manifest except as noted in Item 17a

Printed/Typed Name

[Redacted]

Signature

[Redacted Signature]

Month Day Year 09 04 25

**BUCKEYE  
BRINE**

Transportation & Disposal

**Industrial**  
Coshocton Facility  
23986 Airport Rd.  
Coshocton, OH 43812  
740-295-9325



IC15025

Date: 9-4-25 Time In: 13:00 Time Out: 13:59

Scheduled Time: \_\_\_\_\_ On Pad Time: 13:02

Generator: 1326-00 USEPA Region 3 Fairmont Brine Site EPA ID # WVR000521948

Generator Address: 168 AFR Drive Fairmont WV 26554

Profile #: IW-1326-00-003 Material Name: Fairmont Brine - Concrete Basin Liquid

Customer: Perma-Fix Environmental Services, Inc. Project #:

BOL/Manifest #: 250904-121-01

Transporter: BUCKEYE BRINE Truck #: 903 Trailer #: 101

Transporter/Tanker  Bottle  Other

Material Description:  
Non-hazardous

EH&S Comments:

Receiving Material:

LAB: Tank Assignment: 12 Initial: JF Approved to Receive: [Signature]

PAD: Unloading Pad: 1 4 5 Direct Inject Load:  Yes Well # \_\_\_\_\_

Receiving Tank #: 12 Tank Volume Before: 37 Tank Volume After: 181


Rinse Out:  Yes or  No Rinse Out Gallons: \_\_\_\_\_ Driver's Initial: MX

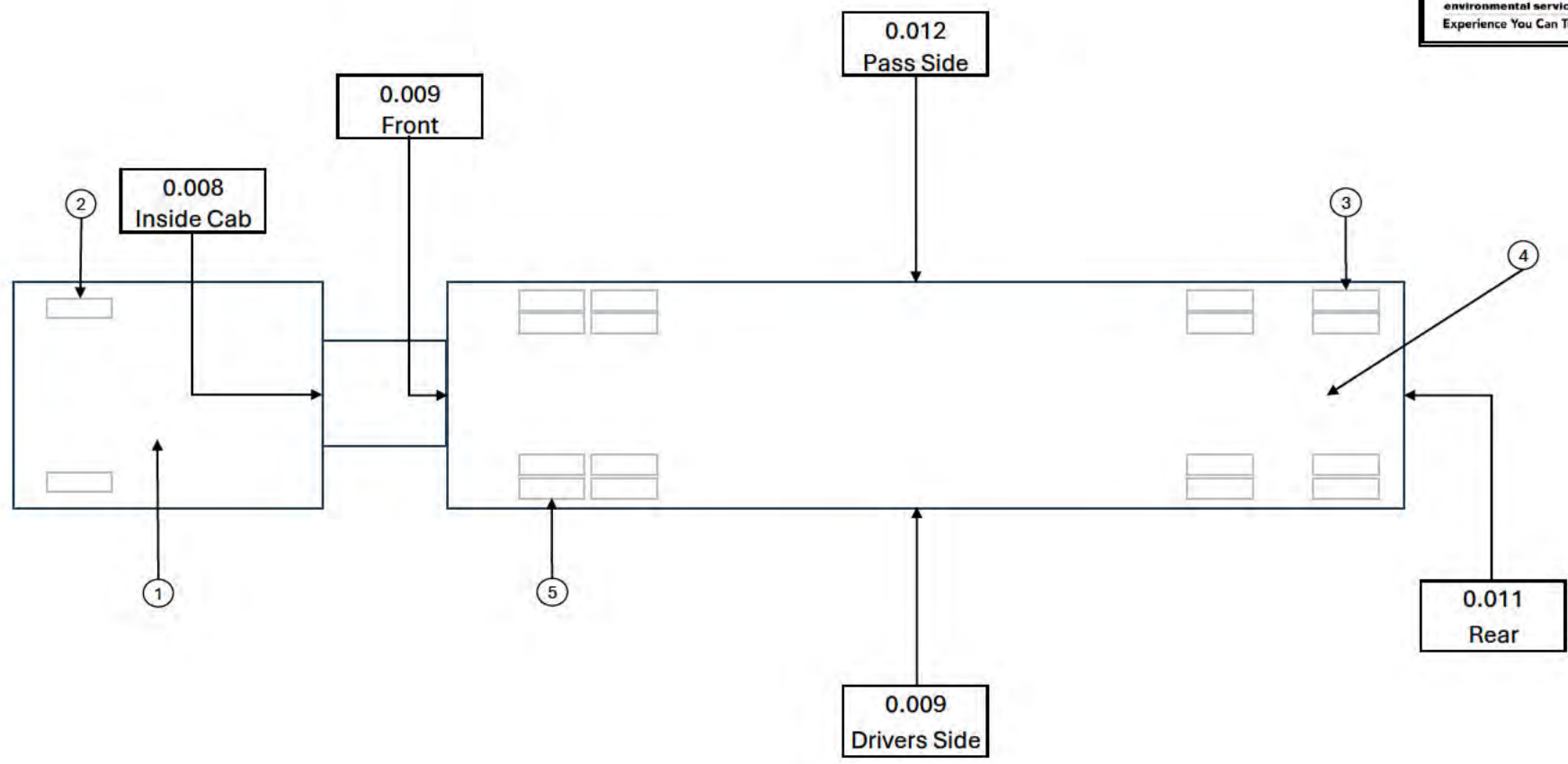
Approved By: \_\_\_\_\_ Contact Phone #: \_\_\_\_\_

Manifest Gallons: <u>5,000</u>	Sample Taken By: <input checked="" type="checkbox"/> Top Down	Comments: <u>115.816</u>
Received Gallons: <u>4,864</u>	<u>5-1.87</u> <u>2-114,006</u>	

Driver Name (print) [Redacted] Driver Signature: [Redacted]

Pad Signature: [Redacted]

Survey Number	FBF-090425-353	Item Surveyed	Tractor Lic Plate: 3230093 State: IN Trailer Lic Plate: TTG4402 State: OH				 <i>Total Activity displayed in dpm/100cm<sup>2</sup></i>									
Date Surveyed	9/4/2025	Comments	Removable activity measurements listed on this survey were taken in accordance with US Department of Transportation 49 CFR § 173.443. As such, smears were collected over a 300 cm <sup>2</sup> area and the activity is reported in dpm/cm <sup>2</sup> . Alpha removable activity limit: 24 dpm/cm <sup>2</sup> Beta-gamma removable activity limit: 240 dpm/cm <sup>2</sup>													
Survey Tech	██████████		<b>Gamma Activity</b>		<b>Total Activity</b>			<b>Removable Activity</b>								
Date Counted	9/4/2025		<b>Dose Rate</b>	<b>Count Rate</b>	<b>Alpha</b>		<b>Beta-Gamma</b>		<b>Alpha</b>			<b>Beta-Gamma</b>				
Count Room Tech	M██████████								3030			3030				
Survey Type	Outgoing DOT Waste Conveyance								271327			271327				
Level Of Posting	None								3/26/2026			3/26/2026				
	<b>Instrument Model</b>								32.32%			23.52%				
	<b>Instrument Serial Number</b>								10%			10%				
	<b>Cal Due Date</b>								300			300				
	<b>Instrument Efficiency</b>			N/A					60			60				
	<b>Instrument Efficiency</b>			N/A		N/A		N/A	0.5			0.5				
	<b>Smear Efficiency</b>			N/A		1		1	24			2175				
	<b>Probe Correction Factor</b>			N/A		1		1	0.09			0.48				
	<b>Background Count Time (min)</b>															
	<b>Sample Count Time (min)</b>															
	<b>Instrument Background</b>															
	<b>MDC</b>															
<b>No</b>	<b>Description/Location</b>		<b>Gross cpm</b>	<b>Gross Counts</b>	<b>Net cpm</b>	<b>Net Activity</b>	<b>Gross Counts</b>	<b>Net cpm</b>	<b>Net Activity</b>	<b>Gross Counts</b>	<b>Net cpm</b>	<b>Net Activity</b>	<b>Gross Counts</b>	<b>Net cpm</b>	<b>Net Activity</b>	
1	Floor - inside cab	See Second Page For Dose Rate Information								0	0	-0.04	14	-8	-1.17	
2	Tire - tractor front passenger side										2	4	0.37	19	2	0.25
3	Tire - trailer rearmost outer										0	0	-0.04	24	12	1.67
4	Hose connection										0	0	-0.04	20	4	0.53
5	Tire - tractor rearmost outer										0	0	-0.04	20	4	0.53



Tractor License Plate # 3230093 State IN Instrument 2350-1 Cal Due Date 7/22/2026  
 Model 44-2  
 Trailer License Plate # TTG4402 State OH Instrument 260157 Background 0.011 mR/hr  
 Serial Number PR273892

Survey Number	FBF-090425-353
Date Surveyed	9/4/2025
Survey Tech	██████████
Date Counted	9/4/2025
Count Room Tech	██████████
Survey Type	Outgoing DOT Waste Conveyance
Level Of Posting	None

Reviewed By ██████████

#14



IC15026

NON-HAZARDOUS WASTE MANIFEST

1. Generator ID Number  
2. Page 1 of  
3. Emergency Response Phone 740-610-3852  
4. Waste ID 250903-126-01

5. Generator's Name and Mailing Address: USEPA Region 3 - G. Wagner (3SD31)  
1800 JFK Blvd Philadelphia, PA 19103  
Generator's Site Address (if different than mailing address): USEPA Region 3 Fairmont Brine Site  
168 AFR Drive Fairmont WV 26554  
Generator's Phone: 804-337-3049 804-337-3049

6. Transporter 1 Company Name: Buckeye Brine LLC 23988 Airport Road Coshocton Ohio 43812 DOT 3074258 U.S. EPA ID Number 250903-126-01  
7. Transporter 2 Company Name U.S. EPA ID Number

8. Designated Facility Name and Site Address: Buckeye Brine LLC  
23988 Airport Road Coshocton Ohio 43812 U.S. EPA ID Number  
Facility's Phone: 740-610-3852

9. Waste Shipping Name and Description	10. Containers		11. Total Quantity	12. Unit Wt./Vol.
	No.	Type		
1. Non- RCRA/Non-DOT Regulated Liquid (Concrete Basin Liquid)	1	TT		GAL 5,000
2.				
3.				
4.				

13. Special Handling Instructions and Additional Information: Buckeye Brine Approved Profile IW-1326-00-003  
TRUCK ID 902 Trailer 103 TRAILER PLATE TTB4404 STATE OH REG GAL 4,546

14. GENERATOR'S/OFFEROR'S CERTIFICATION: I hereby declare that the contents of this consignment are fully and accurately described above by the proper shipping name, and are classified, packaged, marked and labeled/placarded, and are in all respects in proper condition for transport according to applicable international and national governmental regulations.  
Generator's/Offeror's Printed/Typed Name: Christine Wagner US EPA  
Signature: Christine Wagner  
Month Day Year: 09 04 25

15. International Shipment:  Import to U.S.  Export from U.S. Port of entry: Date leaving U.S.

16. Transporter Acknowledgment of Receipt of Materials  
Transporter 1 Printed/Typed Name: Signature: Month Day Year: 9 4 25  
Transporter 2 Printed/Typed Name: Signature: Month Day Year:

17. Discrepancy  
17a. Discrepancy Indication Space  Quantity  Type  Residue  Partial Rejection  Full Rejection

17b. Alternate Facility (or Generator): Manifest Reference Number: U.S. EPA ID Number:

Facility's Phone:  
17c. Signature of Alternate Facility (or Generator): Month Day Year:

18. Designated Facility Owner or Operator: Certification of receipt of materials covered by the manifest except as noted in Item 17a  
Printed/Typed Name: Signature: Month Day Year: 9 4 25

GENERATOR  
INTL  
TRANSPORTER  
DESIGNATED FACILITY



**Industrial**  
Coshocton Facility  
23986 Airport Rd.  
Coshocton, OH 43812  
740-295-9325



Date: 9-4-25 Time In: 13:01 Time Out: 13:37  
Scheduled Time: \_\_\_\_\_ On Pad Time: 13:03

Generator: 1326-00 USEPA Region 3 Fairmont Brine Site EPA ID # WVR000521948  
Generator Address: 168 AFR Drive Fairmont WV 26554

Profile #: IW-1326-00-003 Material Name: Fairmont Brine - Concrete Basin Liquid

Customer: Perma-Fix Environmental Services, Inc. Project #:  
BOL/Manifest #: 250903-126-01

Transporter: BUCKEYE BRINE Truck #: 902 Trailer #: 103

Transporter/Tanker  Bottle  Other

Material Description: Non-hazardous EH&S Comments: \_\_\_\_\_

Receiving Material:  
LAB: Tank Assignment: 12 Initial: JF Approved to Receive: [Signature]

PAD: Unloading Pad: 1 (4) 5 Direct Inject Load:  Yes Well #: \_\_\_\_\_

Receiving Tank #: 12 Tank Volume Before: 37 Tank Volume After: 109

Rinse Out:  Yes or  No Rinse Out Gallons: \_\_\_\_\_ Driver's Initial: CW

Approved By: \_\_\_\_\_ Contact Phone #: \_\_\_\_\_

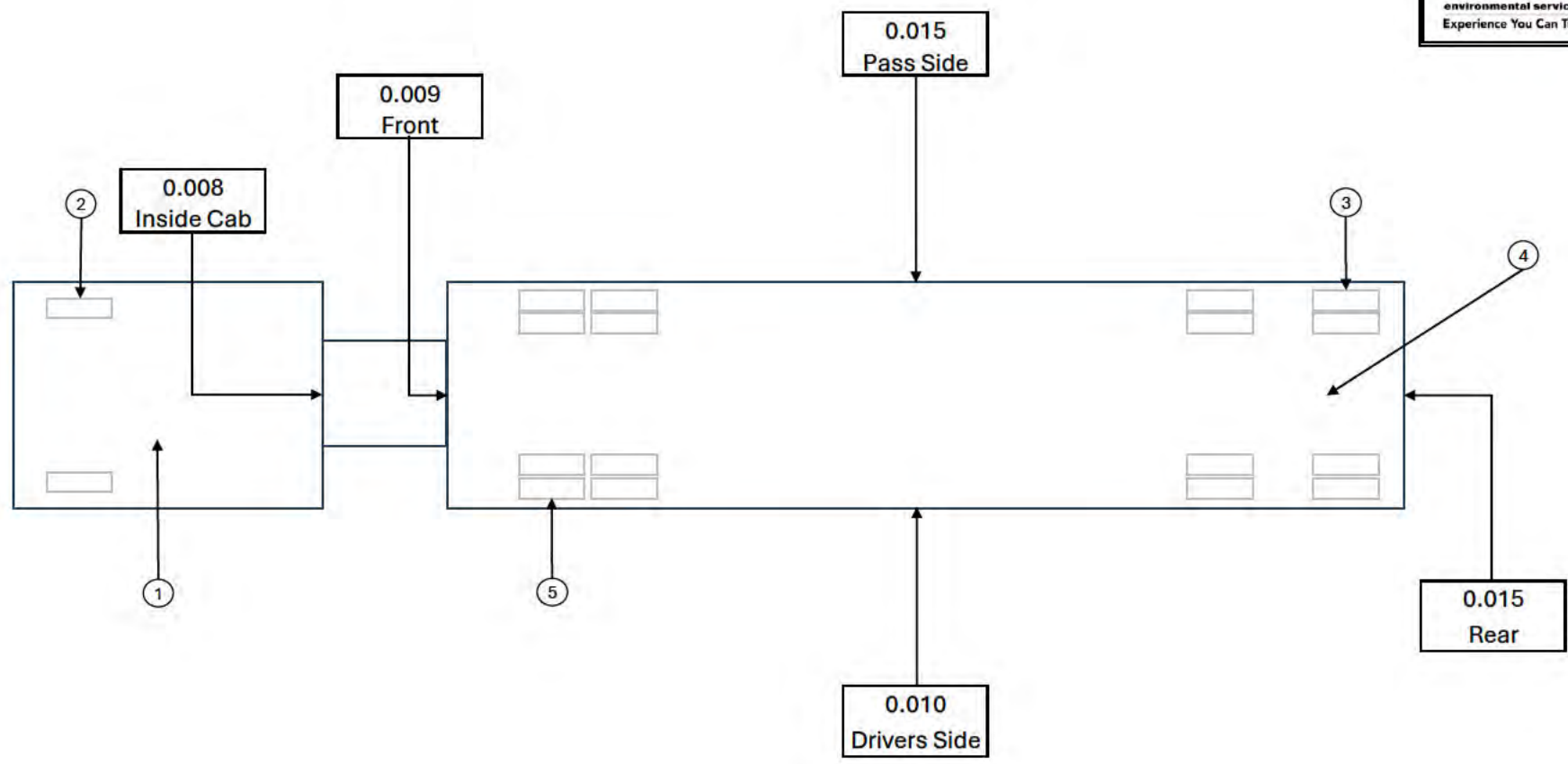
Manifest Gallons: 5,000 Sample Taken By:  Top Down Comments: \_\_\_\_\_

Received Gallons: 4,546 1-108-244

Driver Name (print): \_\_\_\_\_ Driver Signature: \_\_\_\_\_

Pad Signature: \_\_\_\_\_





Tractor License Plate # PME6342 State OH Instrument 2350-1 Cal Due Date 7/22/2026  
 Model 44-2  
 Trailer License Plate # TTG4404 State OH Instrument 260157 Background 0.011 mR/hr  
 Serial Number PR273892

Survey Number	FBF-090425-354
Date Surveyed	9/4/2025
Survey Tech	[REDACTED]
Date Counted	9/4/2025
Count Room Tech	[REDACTED]
Survey Type	Outgoing DOT Waste Conveyance
Level Of Posting	None

Reviewed By [REDACTED]

[REDACTED]

---

**From:** [REDACTED]  
**Sent:** Wednesday, March 19, 2025 11:48 AM  
**To:** Scott Garpiel  
**Subject:** FW: [EXT]RE: FB3-73 Buckeye Brine, LLC (OHR 000 180 612)---CERCLA REQUEST 3-19-25 Sending Site not provided Receiving Site 110056333506

----- Original message -----

**From:** "R5CERCLA.ROC" <R5CERCLA.ROC@epa.gov>  
**Date:** 3/19/25 11:25 AM (GMT-05:00)  
**To:** [REDACTED]  
**Cc:** "R5CERCLA.ROC" <R5CERCLA.ROC@epa.gov>  
**Subject:** [EXT]RE: FB3-73 Buckeye Brine, LLC (OHR 000 180 612)---CERCLA REQUEST 3-19-25 Sending Site not provided Receiving Site 110056333506

**\*\*\*CAUTION\*\*\* This email originates from a source outside the company. Please use caution when opening attachments, clicking on links, or following the senders request.**

Buckeye Brine, LLC in Coshocton, Ohio (OHR000180612) is currently acceptable to receive waste regulated by the CERCLA Off-site Rule.

Please note that this status does not affect the list of wastes the facility is permitted to receive under their various permits. It is still the responsibility of the waste generator to make sure a facility is permitted to receive all of the waste streams being shipped to the receiving facility(ies).

For record-keeping purposes, if one is available and you haven't already provided it, please provide the sending Superfund site ID number.

**From:** [REDACTED]  
**Sent:** Wednesday, March 19, 2025 10:18 AM  
**To:** R5CERCLA.ROC <R5CERCLA.ROC@epa.gov>  
**Cc:** Scott Garpiel <sgarpiel@epa.gov>  
**Subject:** FB3-73 Buckeye Brine, LLC (OHR 000 180 612)---CERCLA REQUEST 3-19-25

**Caution:** This email originated from outside EPA, please exercise additional caution when deciding whether to open attachments or click on provided links.

Good afternoon,

Please let us know if the following facility is CERCLA approved to accept waste:

Buckeye Brine, LLC  
23986 Airport Road  
Coshocton, OH 43812

OHR 000 180 612  
Phone: 740-295-9324

Thank you,

[REDACTED]

[REDACTED] CHMM  
*Environmental Restoration, LLC*  
110 Granby Street  
Bloomfield, CT 06111

[REDACTED]

Confidentiality Warning: This e-mail and any attachments contain information intended only for the use of the individual or entity named above. If the reader of this e-mail is not the intended recipient or the employee or agent responsible for delivering it to the intended recipient, any dissemination, publication or copying of this e-mail is strictly prohibited. Although this email has been scanned for malware, the sender does not accept any responsibility for any loss, disruption or damage to your data or computer system that may occur while using data contained in, or transmitted with, this e-mail. If you have received this e-mail in error, please immediately notify by return e-mail. Thank you.

[REDACTED]

---

**From:** [REDACTED]  
**Sent:** Tuesday, August 12, 2025 6:26 PM  
**To:** [REDACTED]  
**Subject:** FW: [EXT]RE: FB3-73 Buckeye Brine, LLC (OHR 000 180 612)---CERCLA REQUEST 8-12-25 Sending Site not provided Receiving Site 110056333506

----- Original message -----

**From:** "R5CERCLA.ROC" <R5CERCLA.ROC@epa.gov>  
**Date:** 8/12/25 4:06 PM (GMT-05:00)  
**To:** [REDACTED]  
**Cc:** "R5CERCLA.ROC" <R5CERCLA.ROC@epa.gov>  
**Subject:** [EXT]RE: FB3-73 Buckeye Brine, LLC (OHR 000 180 612)---CERCLA REQUEST 8-12-25 Sending Site not provided Receiving Site 110056333506

**\*\*\*CAUTION\*\*\* This email originates from a source outside the company. Please use caution when opening attachments, clicking on links, or following the senders request.**

Buckeye Brine, LLC in Coshocton, Ohio (OHR000180612) is currently acceptable to receive waste regulated by the CERCLA Off-site Rule.

Please note that this status does not affect the list of wastes the facility is permitted to receive under their various permits. It is still the responsibility of the waste generator to make sure a facility is permitted to receive all of the waste streams being shipped to the receiving facility(ies).

For record-keeping purposes, if one is available and you haven't already provided it, please provide the sending Superfund site ID number.

**From:** [REDACTED]  
**Sent:** Tuesday, August 12, 2025 8:02 AM  
**To:** R5CERCLA.ROC <R5CERCLA.ROC@epa.gov>  
**Cc:** [REDACTED]  
**Subject:** FB3-73 Buckeye Brine, LLC (OHR 000 180 612)---CERCLA REQUEST 8-12-25

**Caution:** This email originated from outside EPA, please exercise additional caution when deciding whether to open attachments or click on provided links.

Good afternoon,

Please let us know if the following facility is CERCLA approved to accept waste:

Buckeye Brine, LLC  
23986 Airport Road  
Coshocton, OH 43812

OHR 000 180 612  
Phone: 740-295-9324

Thank you,

[REDACTED]

[REDACTED] CHMM

*Environmental Restoration, LLC*  
110 Granby Street  
Bloomfield, CT 06111

[REDACTED]

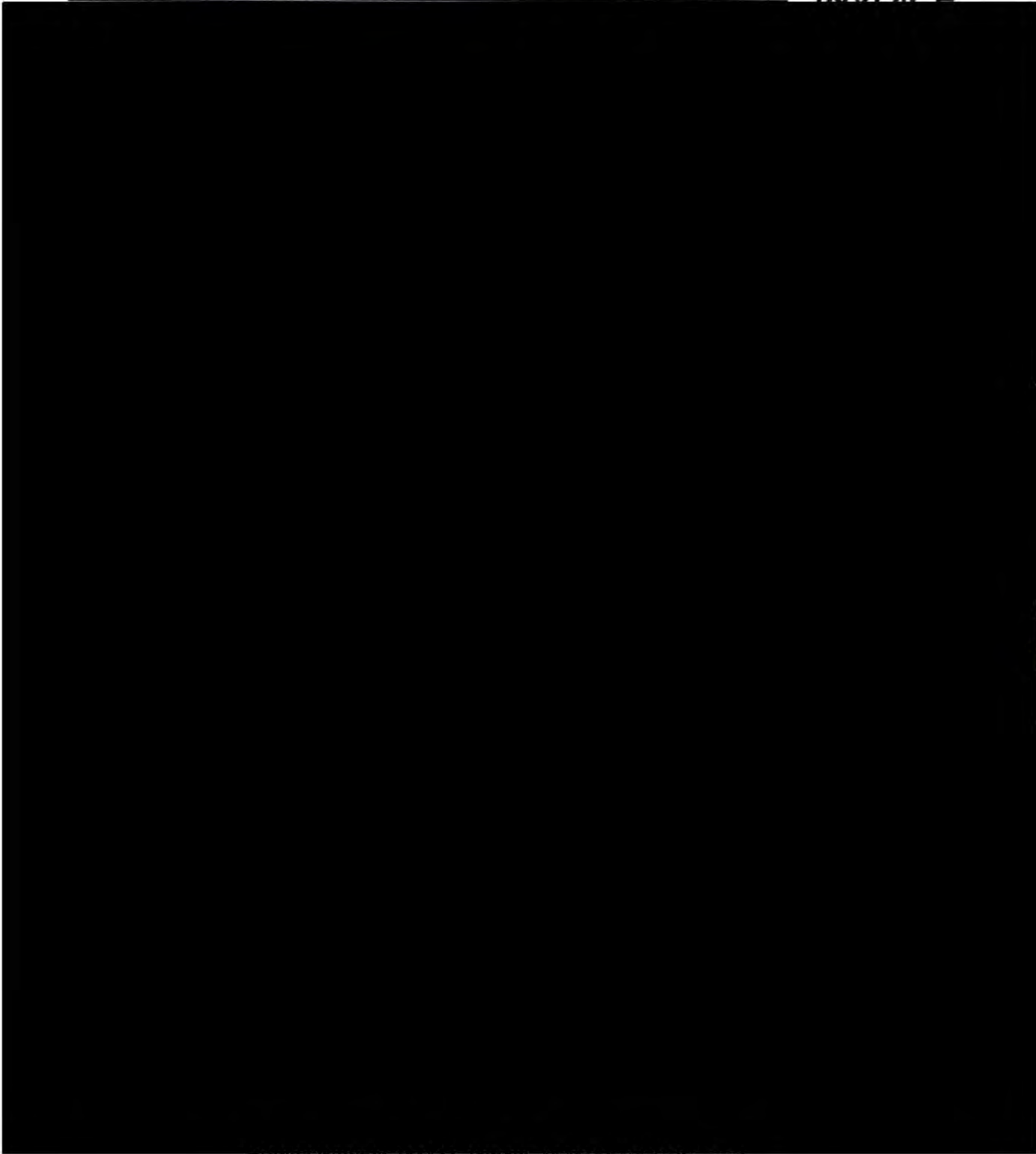
Confidentiality Warning: This e-mail and any attachments contain information intended only for the use of the individual or entity named above. If the reader of this e-mail is not the intended recipient or the employee or agent responsible for delivering it to the intended recipient, any dissemination, publication or copying of this e-mail is strictly prohibited. Although this email has been scanned for malware, the sender does not accept any responsibility for any loss, disruption or damage to your data or computer system that may occur while using data contained in, or transmitted with, this e-mail. If you have received this e-mail in error, please immediately notify by return e-mail. Thank you.



1093 Commerce Park  
Suite 300  
Oak Ridge, TN 37830  
Phone: 865-690-0501  
Fax: 865-539-9868

Invoice No. 843829

**INVOICE**



02-4447



1093 Commerce Park  
Suite 300  
Oak Ridge, TN 37830  
Phone: 865-690-0501  
Fax: 865-539-9868

**Invoice No.** 843953

**INVOICE**

